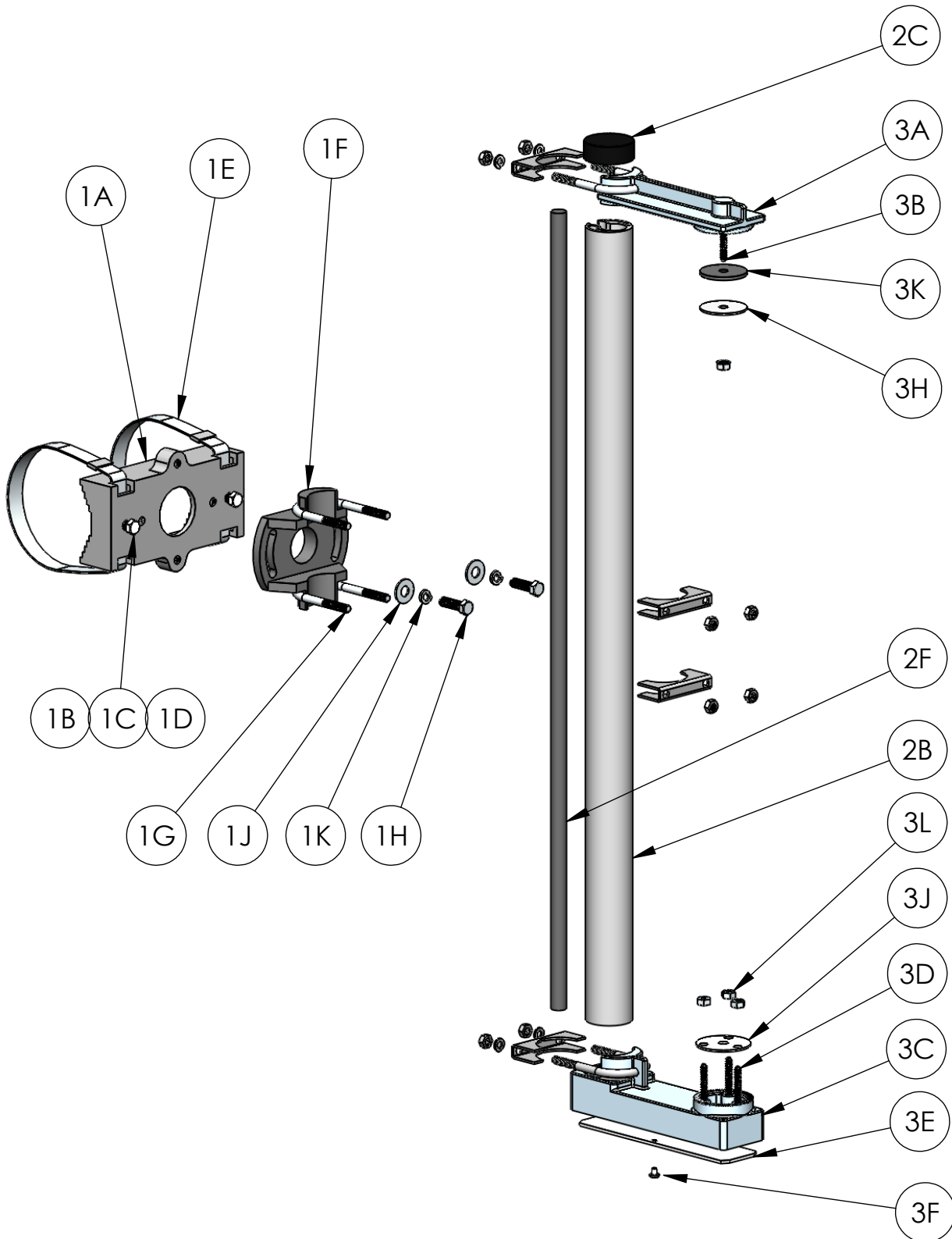


STANDARD TRAFFIC SIGNAL MOUNTING - BAND STYLE



**PARTS LIST****FOR****STANDARD SIGNAL MOUNT - BAND STYLE**

<b>ITEM</b>	<b>QTY</b>	<b>PART NUMBER</b>	<b>DESCRIPTION</b>
<b>1</b>	<b>1</b>	<b>SBXX-SCK</b>	<b>KIT, CLAMP ASSEMBLY</b>
1A	1	1086-2-B	SADDLE, MACHINED
1B	2	1086-27	WELL NUT
1C	2	1086-20-A	TENSION SCREW
1D	2	1086-16-A	PRESSURE PLATE
1E	2	1086-12-29	BAND ASSEMBLY 29"
		1086-12-42	BAND ASSEMBLY 42"
		1086-12-59	BAND ASSEMBLY 59"
1F	1	1086-1	SWIVEL CASTING
1G	2	1086-17	U-BOLT ASSEMBLY
1H	2	1086-20	BOLT, 3/8" X 1" HEX HEAD
1J	2	1086-21	WASHER, 3/8" FLAT
1K	2	1086-22	WASHER, 3/8" LOCK
<b>2</b>	<b>1</b>	<b>1086-8-XXTK</b>	<b>KIT, EXTRUSION TUBE</b>
2A	1	1086-8-18	EXTRUSION TUBE 18"
		1086-8-46	EXTRUSION TUBE 46"
		1086-8-60	EXTRUSION TUBE 60"
		1086-8-74	EXTRUSION TUBE 74"
2B	1	1086-10-18	FOAM SEAL 18"
		1086-10-46	FOAM SEAL 46"
		1086-10-60	FOAM SEAL 60"
		1086-10-74	FOAM SEAL 74"
2C	1	1086-9	CAP, TUBE
<b>3</b>	<b>1</b>	<b>SB-SAK</b>	<b>KIT, ARM</b>
3A	1	1086-6-A	ARM, UPPER MACHINED
3B	1	1086-24-A	STUD, UPPER
3C	1	1086-5-A	ARM, LOWER MACHINED
3D	3	1086-24-B	STUD, LOWER
3E	1	1086-7-A	COVER, WIRE
3F	1	46-0050	SCREW, COVER SS
3G	2	1086-17	U-BOLT ASSEMBLY
3H	1	1086-15	RETAINER, UPPER
3J	1	1086-14	RETAINER, LOWER
3K	1	1086-11	SEAL, UPPER
3L	4	1086-26	NUT, 5/16" KEPS