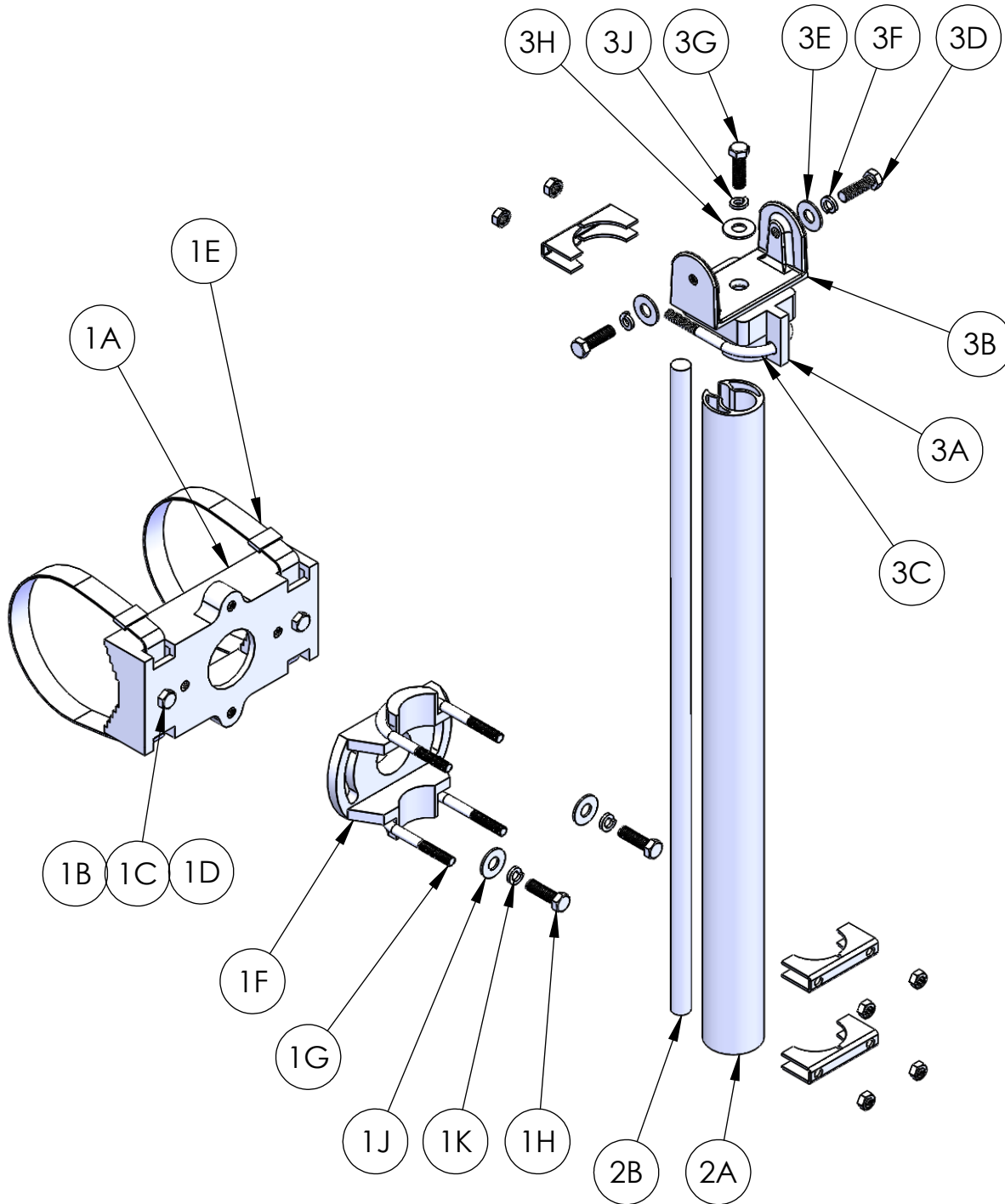


ADJUSTABLE CAMERA MOUNT - BAND STYLE



PARTS LIST						
FOR						
ADJUSTABLE CAMERA MOUNT - BAND STYLE						
ITEM	QTY	PART NUMBER	DESCRIPTION			
1	1	SBXX-SCK	KIT, CLAMP ASSEMBLY			
1A	1	1086-2B	SADDLE, MACHINED			
1B	2	1087-27	WELL NUT			
1C	2	1086-20-A	TENSION SCREW			
1D	2	1086-16-A	PRESSURE PLATE			
1E	2	1086-12-29	BAND ASSEMBLY 29"			
		1086-12-42	BAND ASSEMBLY 42"			
		1086-12-59	BAND ASSEMBLY 59"			
1F	1	1086-1	SWIVEL CASTING			
1G	2	1086-17	U-BOLT ASSEMBLY			
1H	2	1086-20	BOLT, 3/8" X 1" HEX HEAD			
1J	2	1086-21	WASHER, 3/8" FLAT			
1K	2	1086-22	WASHER, 3/8" LOCK			
2	1	1086-8-XXTK	KIT, EXTRUSION TUBE			
2A	1	1086-8-24	EXTRUSION TUBE 24"			
		1086-8-37	EXTRUSION TUBE 37"			
		1086-8-46	EXTRUSION TUBE 46"			
		1086-8-60	EXTRUSION TUBE 60"			
		1086-8-74	EXTRUSION TUBE 74"			
		1086-8-96	EXTRUSION TUBE 96"			
2B	1	1086-10-24	FOAM SEAL 24"			
		1086-10-37	FOAM SEAL 37"			
		1086-10-46	FOAM SEAL 46"			
		1086-10-60	FOAM SEAL 60"			
		1086-10-74	FOAM SEAL 74"			
		1086-10-96	FOAM SEAL 96"			
3	1	SB-ACMK	KIT, ADJUSTABLE CAMERA			
3A	1	0802-3-A	POLE TOP, MACHINED			
3B	1	0802-2-A	CAMERA YOKE, MACHINED			
3C	1	1086-17	U-BOLT ASSEMBLY			
3D	2	1086-2	BOLT, 3/8" X 1" HEX HEAD			
3E	2	1086-21	WASHER, 3/8" FLAT			
3F	2	1086-22	WASHER, 3/8" LOCK			
3G	1	46-0029	BOLT, 1/2" X 1" HEX HEAD			
3H	1	SB RSPP-8072-033	WASHER, 1/2" FLAT			
3J	1	SB RSPP-8077-033	WASHER, 1/2" LOCK			