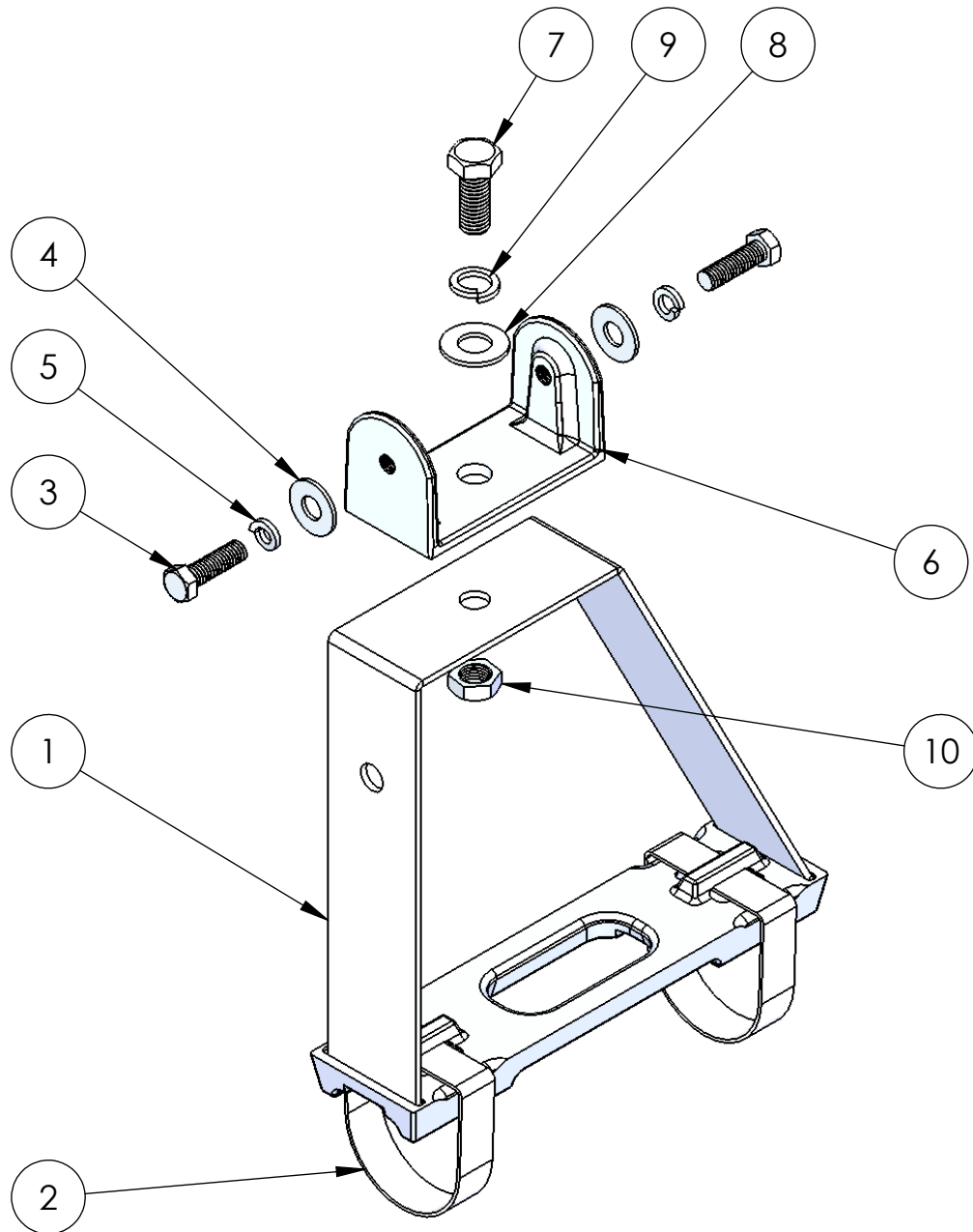


STANDARD CAMERA MOUNT



PARTS LIST						
FOR						
STANDARD CAMERA MOUNT - BAND STYLE						
ITEM	QTY	PART NUMBER	DESCRIPTION			
1	1	0903-1-A	WELDMENT, FRAME			
2	2	1086-12-29	BAND ASSEMBLY 29"			
		1086-12-42	BAND ASSEMBLY 42"			
		1086-12-59	BAND ASSEMBLY 59"			
3	2	1086-20	BOLT, 3/8" X 1" HEX HEAD			
4	2	1086-21	WASHER, 3/8" FLAT			
5	2	1086-22	WASHER, 3/8" LOCK			
6	1	0802-2-A	CAMERA YOKE, MACHINED			
7	1	46-0029	BOLT, 1/2" X 1" HEX HEAD			
8	1	SB RSPP-8072-033	WASHER, 1/2" FLAT			
9	1	SB RSPP-8077-033	WASHER, 1/2" LOCK			
10	1	46-0026	NUT, 1/2" HEX			