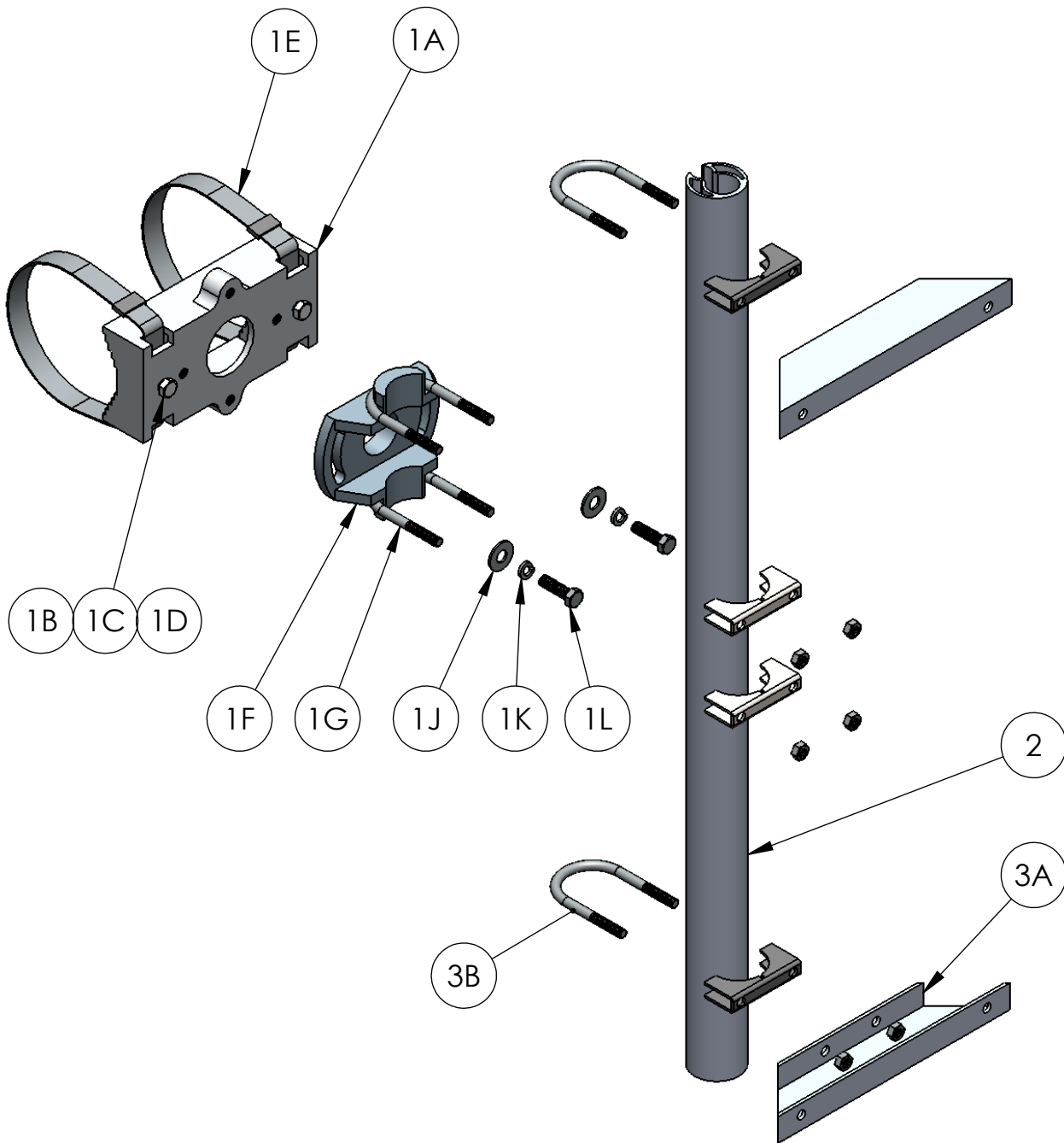


SIGN KIT - BAND STYLE



**PARTS LIST**

**FOR**

**SIGN MOUNT - BAND STYLE**

<b>ITEM</b>	<b>QTY</b>	<b>PART NUMBER</b>	<b>DESCRIPTION</b>			
<b>1</b>	<b>1</b>	<b>SBXX-SCK</b>	<b>KIT, CLAMP ASSEMBLY</b>			
1A	1	1086-2B	SADDLE, MACHINED			
1B	2	1086-27	WELL NUT			
1C	2	1086-20-A	TENSION SCREW			
1D	2	1086-16-A	PRESSURE PLATE			
1E	2	1086-12-29	BAND ASSEMBLY 29"			
		1086-12-42	BAND ASSEMBLY 42"			
		1086-12-59	BAND ASSEMBLY 59"			
1F	1	1086-1	SWIVEL CASTING			
1G	2	1086-17	U-BOLT ASSEMBLY			
1H	2	1086-20	BOLT, 3/8" X 1" HEX HEAD			
1J	2	1086-21	WASHER, 3/8" FLAT			
1K	2	1086-22	WASHER, 3/8" LOCK			
<b>2</b>	<b>1</b>	<b>1086-8-XXTK</b>	<b>KIT, EXTRUSION TUBE</b>			
		1086-8-24	EXTRUSION TUBE 24"			
		1086-8-46	EXTRUSION TUBE 46"			
		1086-8-60	EXTRUSION TUBE 60"			
		1086-8-74	EXTRUSION TUBE 74"			
		1086-8-96	EXTRUSION TUBE 96"			
<b>3</b>	<b>1</b>	<b>SB2-XX</b>	<b>KIT, SIGN CHANNEL</b>			
3A	2	0389-1-8	SUPPORT, CHANNEL 8"			
		0389-1-14	SUPPORT, CHANNEL 14"			
		0389-1-23	SUPPORT, CHANNEL 23"			
3B	2	1086-17	U-BOLT ASSEMBLY			