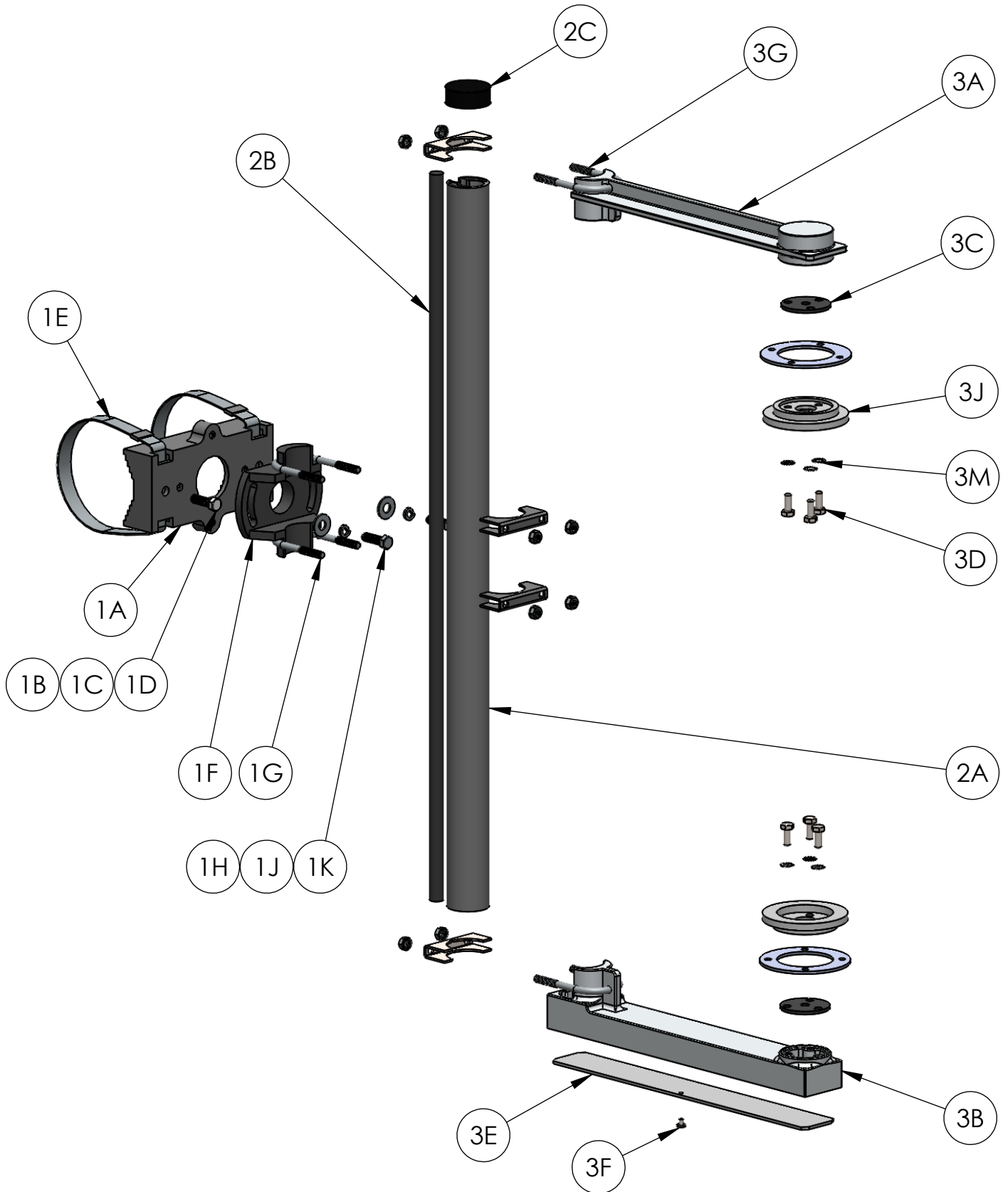


3M SIGNAL MOUNT - BAND STYLE



PARTS LIST**FOR****3M SIGNAL MOUNT - BAND STYLE**

ITEM	QTY	PART NUMBER	DESCRIPTION			
1	1	SS-SBXX-SCK	KIT, CLAMP ASSEMBLY			
1A	1	1086-2-B	SADDLE, MACHINED			
1B	2	1086-27-SS	WELL NUT SS			
1C	2	1086-20-A-SS	TENSION SCREW SS			
1D	2	1086-16-A-SS	PRESSURE PLATE SS			
1E	2	1086-12-29	BAND ASSEMBLY 29"			
		1086-12-42	BAND ASSEMBLY 42"			
		1086-12-59	BAND ASSEMBLY 59"			
1F	1	1086-1	SWIVEL CASTING			
1G	2	1086-17-SS	U-BOLT ASSEMBLY SS			
1H	2	1086-20-SS	BOLT, 3/8" X 1" HEX HEAD SS			
1J	2	1086-21-SS	WASHER, 3/8" FLAT SS			
1K	2	1086-22-SS	WASHER, 3/8" LOCK SS			
2	1	1086-8-XXTK	KIT, EXTRUSION TUBE			
2A	1	1086-8-46	EXTRUSION TUBE 46"			
	1	1086-8-60	EXTRUSION TUBE 60"			
	1	1086-8-74	EXTRUSION TUBE 74"			
2B	1	1086-10-46	FOAM SEAL 46"			
	1	1086-10-60	FOAM SEAL 60"			
	1	1086-10-74	FOAM SEAL 74"			
2C	1	1086-9	CAP, TUBE			
3	1	SS-SB-3MAK	KIT, 3M ARM SS			
3A	1	0289-2-A	ARM, UPPER MACHINED			
3B	1	0289-1-A	ARM, LOWER MACHINED			
3C	2	1086-11	SEAL, UPPER			
3D	6	0289-5-SS	BOLT, 5/16-18 X 3/4 HH SS			
3E	1	0289-4	COVER, WIRE			
3F	1	46-0050	SCREW, COVER SS			
3G	2	1086-17-SS	U-BOLT ASSEMBLY SS			
3J	2	0289-3	CASTING, RING			
3M	6	46-0031	WASHER, 5/16" LOCK SS			