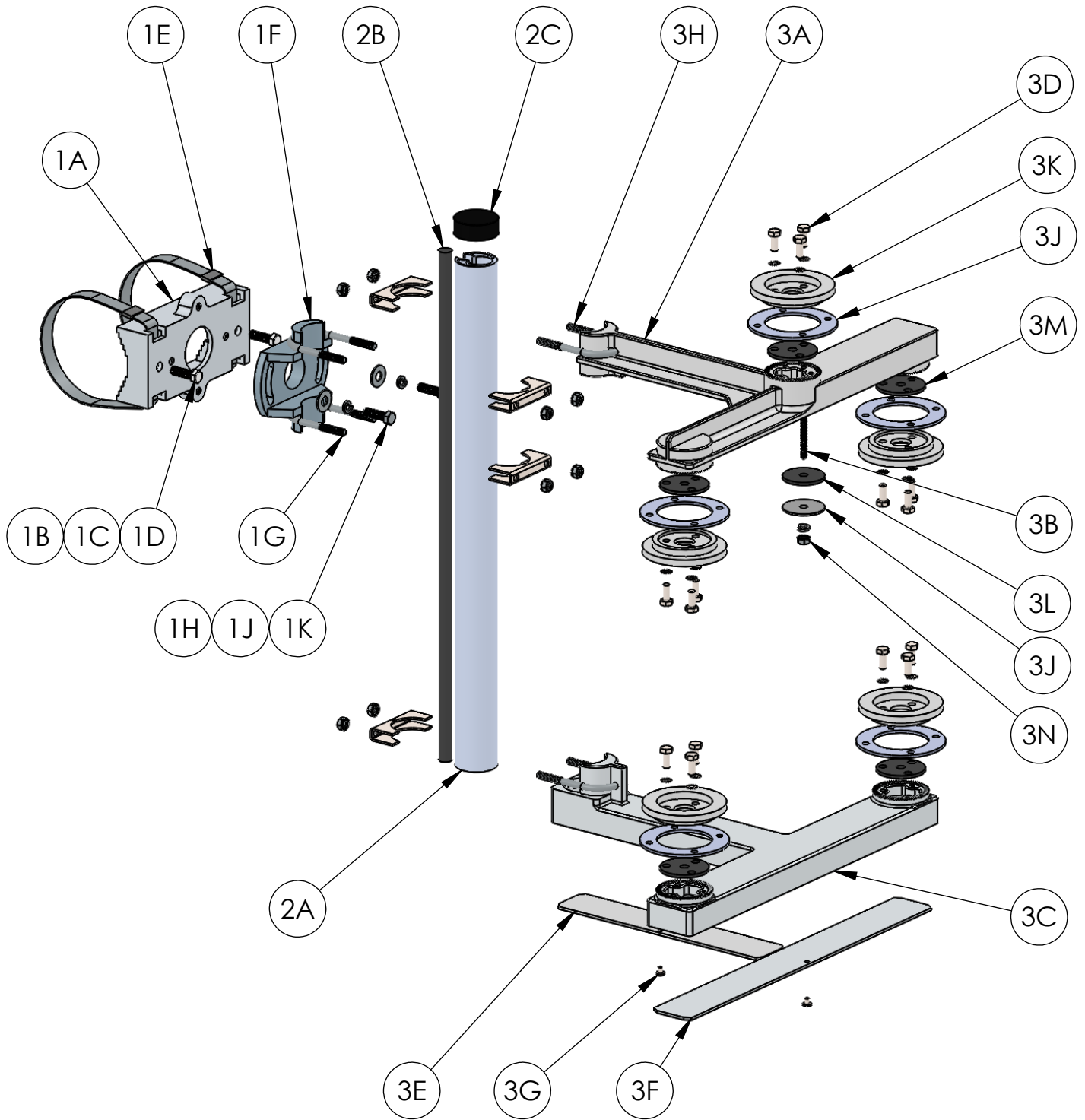


*STAINLESS STEEL*  
3M CLUSTER SIGNAL MOUNT - BAND STYLE



**PARTS LIST****FOR****STAINLESS STEEL****3M CLUSTER SIGNAL MOUNT - BAND STYLE**

<b>ITEM</b>	<b>QTY</b>	<b>PART NUMBER</b>	<b>DESCRIPTION</b>			
<b>1</b>	<b>1</b>	<b>SS-SBXX-SCK</b>	<b>KIT, CLAMP ASSEMBLY</b>			
1A	1	1086-2-B	SADDLE, MACHINED			
1B	2	1086-27-SS	WELL NUT SS			
1C	2	1086-20-A-SS	TENSION SCREW SS			
1D	2	1086-16-A-SS	PRESSURE PLATE SS			
1E	2	1086-12-29	BAND ASSEMBLY 29"			
		1086-12-42	BAND ASSEMBLY 42"			
		1086-12-59	BAND ASSEMBLY 59"			
1F	1	1086-1	SWIVEL CASTING			
1G	2	1086-17-SS	U-BOLT ASSEMBLY SS			
1H	2	1086-20-SS	BOLT, 3/8" X 1" HEX HEAD SS			
1J	2	1086-21-SS	WASHER, 3/8" FLAT SS			
1K	2	1086-22-SS	WASHER, 3/8" LOCK SS			
<b>2</b>	<b>1</b>	<b>1086-8-XXTK</b>	<b>KIT, EXTRUSION TUBE</b>			
2A	1	1086-8-46	EXTRUSION TUBE 46"			
	1	1086-8-60	EXTRUSION TUBE 60"			
	1	1086-8-74	EXTRUSION TUBE 74"			
2B	1	1086-10-46	FOAM SEAL 46"			
	1	1086-10-60	FOAM SEAL 60"			
	1	1086-10-74	FOAM SEAL 74"			
2C	1	1086-9	CAP, TUBE			
<b>3</b>	<b>1</b>	<b>SS-SB-3M CBAK</b>	<b>KIT, 3M ARM SS</b>			
3A	1	0290-1-A	ARM, UPPER MACHINED			
3B	1	1086-24-A-SS	STUD, UPPER SS			
3C	1	0290-2-A	ARM, LOWER MACHINED			
3D	15	0289-5-SS	BOLT 5/16-18 x 3/4 HH SS			
3E	1	0290-3	COVER, WIRE			
3F	1	0290-4	COVER, WIRE			
3G	2	46-0050	SCREW, COVER SS			
3H	2	1086-17-SS	U-BOLT ASSEMBLY SS			
3J	1	1086-15-SS	RETAINER, UPPER SS			
3K	5	0289-3	CASTING, RING			
3L	1	1086-11	SEAL, UPPER			
3M	5	1086-11-A	SEAL, LOWER			
3N	1	1086-26-SS	NUT, 5/16" HEX SS			
3P	16	46-0031	WASHER, 5/16" LOCK SS			