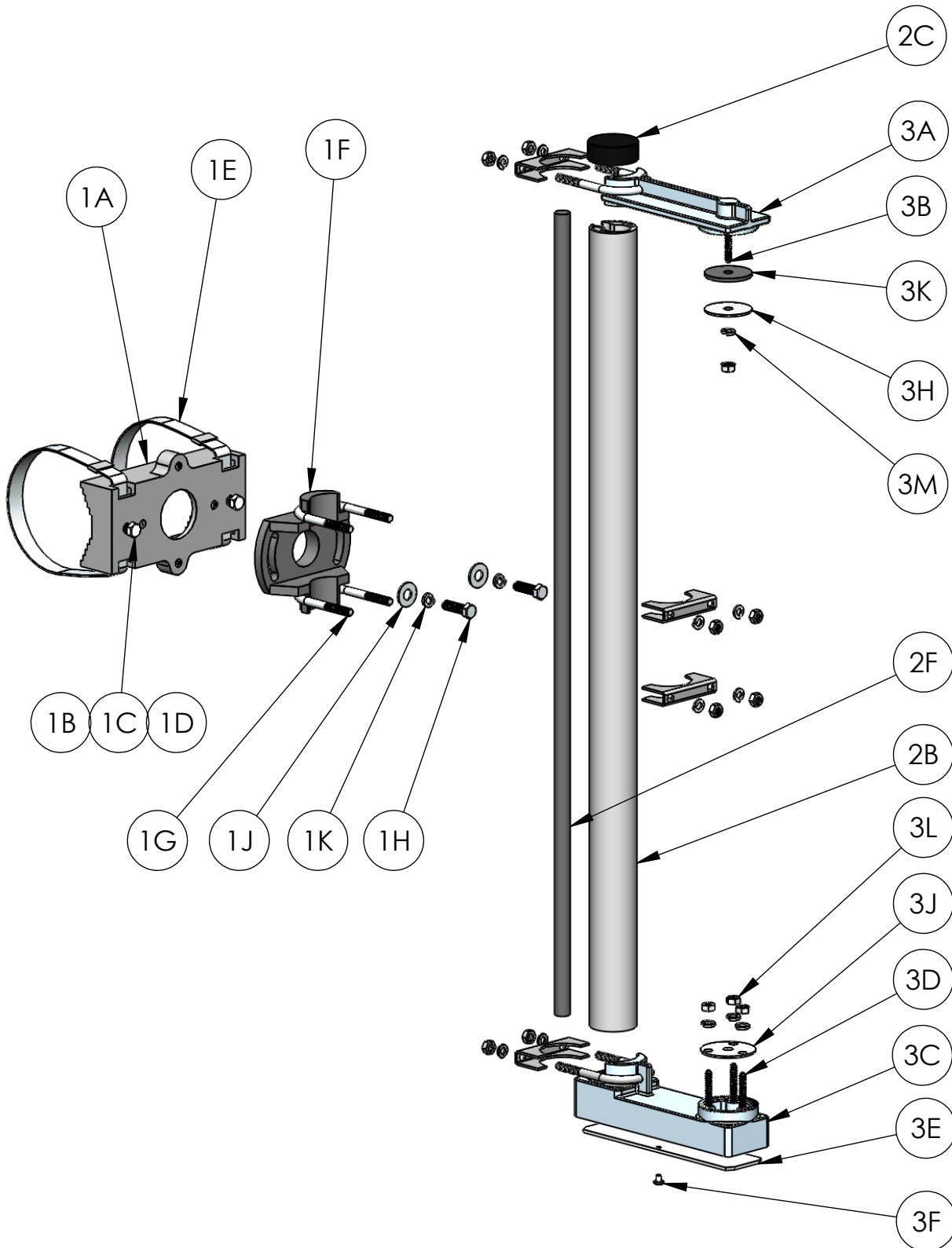


STANDARD TRAFFIC SIGNAL MOUNTING - BAND STYLE



PARTS LIST
FOR
STAINLESS STEEL
STANDARD SIGNAL MOUNT - BAND STYLE

ITEM	QTY	PART NUMBER	DESCRIPTION
1	1	SS-SBXX-SCK	KIT, CLAMP ASSEMBLY SS
1A	1	1086-2-B	SADDLE, MACHINED
1B	2	1086-27-SS	WELL NUT SS
1C	2	1086-20-A-SS	TENSION SCREW SS
1D	2	1086-16-A-SS	PRESSURE PLATE SS
1E	2	1086-12-29	BAND ASSEMBLY 29"
		1086-12-42	BAND ASSEMBLY 42"
		1086-12-59	BAND ASSEMBLY 59"
1F	1	1086-1	SWIVEL CASTING
1G	2	1086-17-SS	U-BOLT ASSEMBLY SS
1H	2	1086-20-SS	BOLT, 3/8" X 1" HEX HEAD SS
1J	2	1086-21-SS	WASHER, 3/8" FLAT SS
1K	2	1086-22-SS	WASHER, 3/8" LOCK SS
2	1	1086-8-XXTK	KIT, EXTRUSION TUBE
2A	1	1086-8-18	EXTRUSION TUBE 18"
		1086-8-46	EXTRUSION TUBE 46"
		1086-8-60	EXTRUSION TUBE 60"
		1086-8-74	EXTRUSION TUBE 74"
2B	1	1086-10-18	FOAM SEAL 18"
		1086-10-46	FOAM SEAL 46"
		1086-10-60	FOAM SEAL 60"
		1086-10-74	FOAM SEAL 74"
2C	1	1086-9	CAP, TUBE
3	1	SS-SB-SAK	KIT, ARM SS
3A	1	1086-6-A	ARM, UPPER MACHINED
3B	1	1086-24-A-SS	STUD, UPPER SS
3C	1	1086-5-A	ARM, LOWER MACHINED
3D	3	1086-24-B-SS	STUD, LOWER SS
3E	1	1086-7-A	COVER, WIRE
3F	1	46-0050	SCREW, COVER SS
3G	2	1086-17-SS	U-BOLT ASSEMBLY SS
3H	1	1086-15-SS	RETAINER, UPPER SS
3J	1	1086-14-SS	RETAINER, LOWER SS
3K	1	1086-11	SEAL, UPPER
3L	4	1086-26-SS	NUT, 5/16" HEX SS
3M	4	46-0031	WASHER, 5/16" LOCK SS