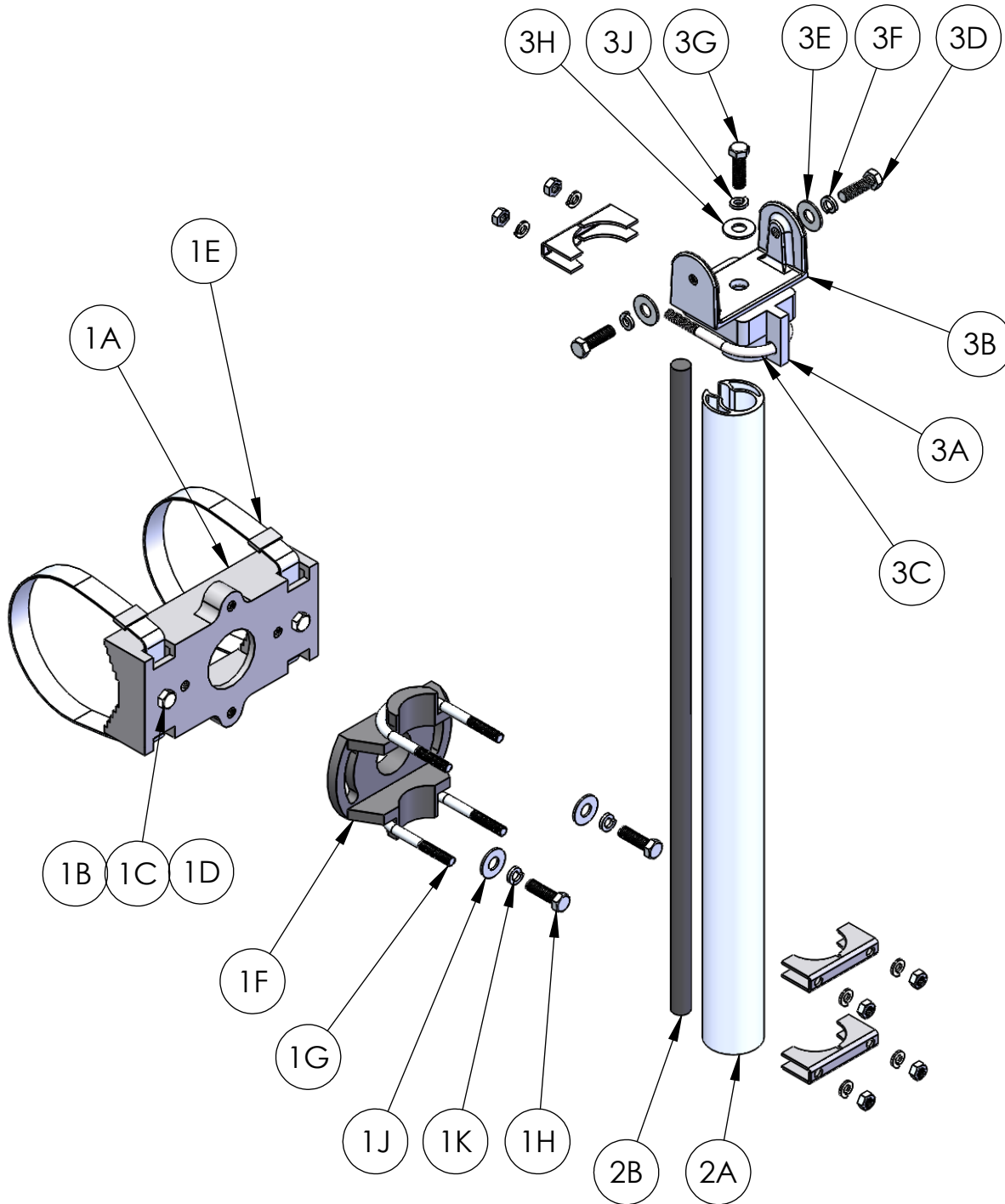


ADJUSTABLE CAMERA MOUNT - BAND STYLE



PARTS LIST			
FOR			
STAINLESS STEEL			
ADJUSTABLE CAMERA MOUNT - BAND STYLE			
ITEM	QTY	PART NUMBER	DESCRIPTION
1	1	SS-SBXX-SCK	KIT, CLAMP ASSEMBLY SS
1A	1	1086-2B	SADDLE, MACHINED
1B	2	1087-27-SS	WELL NUT
1C	2	1086-20-A-SS	TENSION SCREW
1D	2	1086-16-A-SS	PRESSURE PLATE
1E	2	1086-12-29	BAND ASSEMBLY 29"
		1086-12-42	BAND ASSEMBLY 42"
		1086-12-59	BAND ASSEMBLY 59"
1F	1	1086-1	SWIVEL CASTING
1G	2	1086-17-SS	U-BOLT ASSEMBLY
1H	2	1086-20-SS	BOLT, 3/8" X 1" HEX HEAD
1J	2	1086-21-SS	WASHER, 3/8" FLAT
1K	2	1086-22-SS	WASHER, 3/8" LOCK
2	1	1086-8-XXTK	KIT, EXTRUSION TUBE
2A	1	1086-8-24	EXTRUSION TUBE 24"
		1086-8-37	EXTRUSION TUBE 37"
		1086-8-46	EXTRUSION TUBE 46"
		1086-8-60	EXTRUSION TUBE 60"
		1086-8-74	EXTRUSION TUBE 74"
		1086-8-96	EXTRUSION TUBE 96"
2B	1	1086-10-24	FOAM SEAL 24"
		1086-10-37	FOAM SEAL 37"
		1086-10-46	FOAM SEAL 46"
		1086-10-60	FOAM SEAL 60"
		1086-10-74	FOAM SEAL 74"
		1086-10-96	FOAM SEAL 96"
3	1	SS-SB-ACMK	KIT, ADJUSTABLE CAMERA SS
3A	1	0802-3-A	POLE TOP, MACHINED
3B	1	0802-2-A	CAMERA YOKE, MACHINED
3C	1	1086-17-SS	U-BOLT ASSEMBLY
3D	2	1086-20-SS	BOLT, 3/8" X 1" HEX HEAD
3E	2	1086-21-SS	WASHER, 3/8" FLAT
3F	2	1086-22-SS	WASHER, 3/8" LOCK
3G	1	46-0028	BOLT, 1/2" X 1" HEX HEAD
3H	1	46-0006	WASHER, 1/2" FLAT
3J	1	46-0025	WASHER, 1/2" LOCK