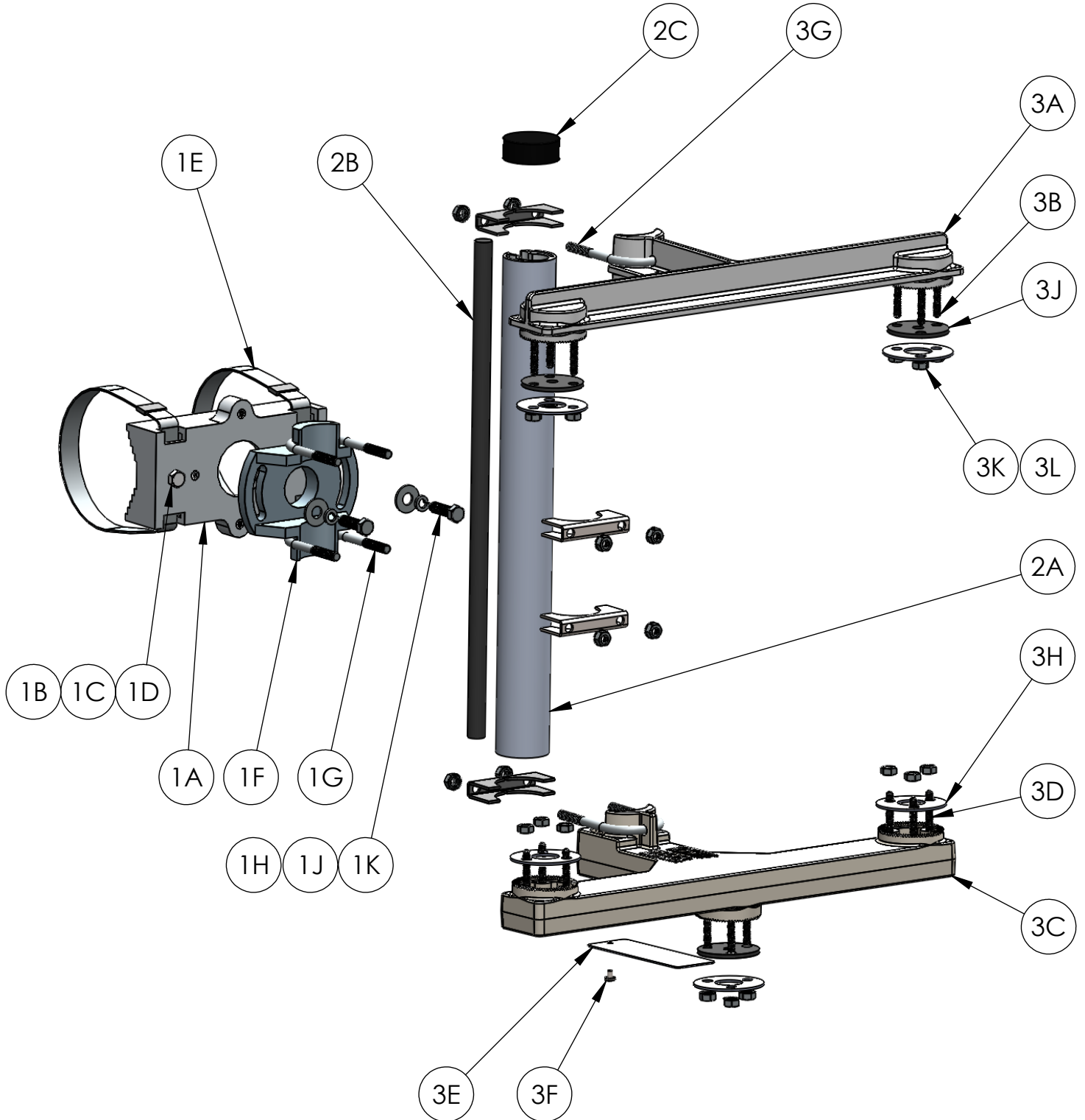


HAWK PEDESTRIAN BEACON MOUNTING - BAND STYLE



STAINLESS STEEL**HAWK SIGNAL MOUNT - BAND STYLE**

ITEM	QTY	PART NUMBER	DESCRIPTION			
1	1	SS-SBXX-SCK	KIT, CLAMP ASSEMBLY			
1A	1	1086-2-B	SADDLE, MACHINED			
1B	2	1086-27-SS	WELL NUT SS			
1C	2	1086-20-A-SS	TENSION SCREW SS			
1D	2	1086-16-A-SS	PRESSURE PLATE SS			
1E	2	1086-12-29	BAND ASSEMBLY 29"			
		1086-12-42	BAND ASSEMBLY 42"			
		1086-12-59	BAND ASSEMBLY 59"			
1F	1	1086-1	SWIVEL CASTING			
1G	2	1086-17-SS	U-BOLT ASSEMBLY SS			
1H	2	1086-20-SS	BOLT, 3/8" X 1" HEX HEAD SS			
1J	2	1086-21-SS	WASHER, 3/8" FLAT SS			
1K	2	1086-22-SS	WASHER, 3/8" LOCK SS			
2	1	1086-8-18TK	KIT, EXTRUSION TUBE			
2A	1	1086-8-18	EXTRUSION TUBE 18"			
2B	1	1086-10-18	FOAM SEAL 18"			
2C	1	1086-9	CAP, TUBE			
3	1	SS-SB-HPBAK	KIT, ARM SS			
3A	1	0810-1-A	ARM, UPPER MACHINED			
3B	6	1086-24-A-SS	STUD, UPPER SS			
3C	1	0810-2-A	ARM, LOWER MACHINED			
3D	9	1086-24-B-SS	STUD, LOWER SS			
3E	1	0111-3	COVER, WIRE			
3F	1	46-0050	SCREW, COVER SS			
3G	2	1086-17-SS	U-BOLT ASSEMBLY SS			
3H	5	1086-14-SS	RETAINER, LOWER SS			
3J	5	1086-11-A	SEAL, UPPER			
3K	15	1086-26-SS	NUT, 5/16" HEX SS			
3L	15	46-0031	WASHER, 5/16" LOCK SS			