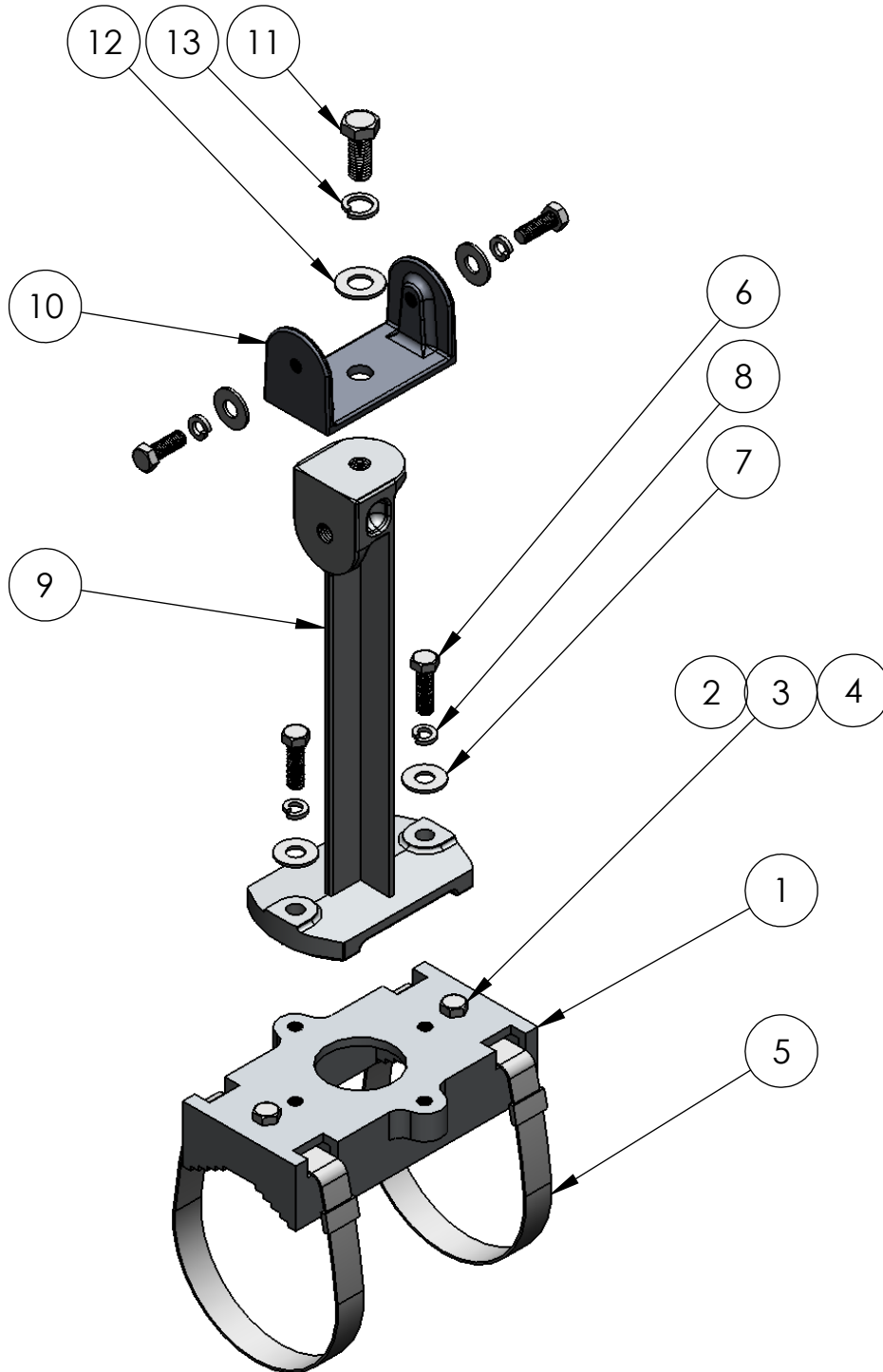


RIGID CAMERA MOUNT - BAND STYLE



PARTS LIST						
FOR						
STAINLESS STEEL						
RIGID CAMERA MOUNT - BAND STYLE						
ITEM	QTY	PART NUMBER	DESCRIPTION			
1	1	1086-2B	SADDLE, MACHINED			
2	2	1086-27-SS	WELL NUT SS			
3	2	1086-20-A-SS	TENSION SCREW SS			
4	2	1086-16-A-SS	PRESSURE PLATE SS			
5	2	1086-12-29	BAND ASSEMBLY 29"			
		1086-12-42	BAND ASSEMBLY 42"			
		1086-12-59	BAND ASSEMBLY 59"			
6	4	1086-20-SS	BOLT, 3/8" X 1" HEX HEAD SS			
7	4	1086-21-SS	WASHER, 3/8" FLAT SS			
8	4	1086-22-SS	WASHER, 3/8" LOCK SS			
9	1	0802-3-A	ARM, RIGID MACHINED			
10	1	0802-2-A	CAMERA YOKE, MACHINED			
11	1	46-0028	BOLT, 1/2" X 1" HEX HEAD SS			
12	1	46-0006	WASHER, 1/2" FLAT SS			
13	1	46-0025	WASHER, 1/2" LOCK SS			