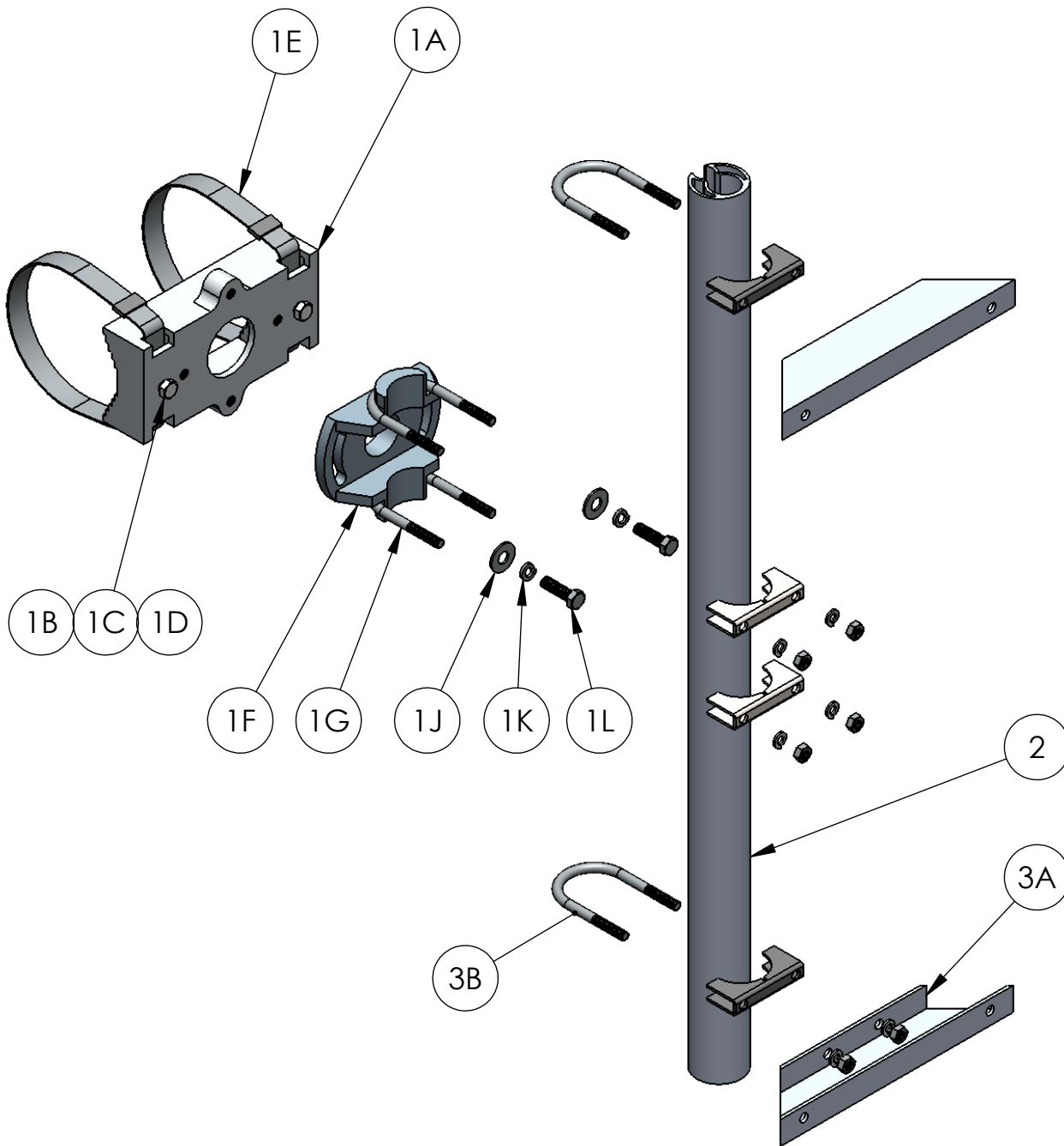


SIGN KIT - BAND STYLE



<b>PARTS LIST</b>						
<b>FOR</b>						
<b>STAINLESS STEEL</b>						
<b>SIGN MOUNT - BAND STYLE</b>						
<b>ITEM</b>	<b>QTY</b>	<b>PART NUMBER</b>	<b>DESCRIPTION</b>			
<b>1</b>	<b>1</b>	<b>SS-SBXX-SCK</b>	<b>KIT, CLAMP ASSEMBLY SS</b>			
1A	1	1086-2B	SADDLE, MACHINED			
1B	2	1086-27-SS	WELL NUT SS			
1C	2	1086-20-A-SS	TENSION SCREW SS			
1D	2	1086-16-A-SS	PRESSURE PLATE SS			
1E	2	1086-12-29	BAND ASSEMBLY 29"			
		1086-12-42	BAND ASSEMBLY 42"			
		1086-12-59	BAND ASSEMBLY 59"			
1F	1	1086-1	SWIVEL CASTING			
1G	2	1086-17-SS	U-BOLT ASSEMBLY SS			
1H	2	1086-20-SS	BOLT, 3/8" X 1" HEX HEAD SS			
1J	2	1086-21-SS	WASHER, 3/8" FLAT SS			
1K	2	1086-22-SS	WASHER, 3/8" LOCK SS			
<b>2</b>	<b>1</b>	<b>1086-8-XXTK</b>	<b>KIT, EXTRUSION TUBE</b>			
		1086-8-24	EXTRUSION TUBE 24"			
		1086-8-46	EXTRUSION TUBE 46"			
		1086-8-60	EXTRUSION TUBE 60"			
		1086-8-74	EXTRUSION TUBE 74"			
		1086-8-96	EXTRUSION TUBE 96"			
<b>3</b>	<b>1</b>	<b>SS-SB2-XX</b>	<b>KIT, SIGN CHANNEL SS</b>			
3A	2	0389-1-8	SUPPORT, CHANNEL 8"			
		0389-1-14	SUPPORT, CHANNEL 14"			
		0389-1-23	SUPPORT, CHANNEL 23"			
3B	2	1086-17-SS	U-BOLT ASSEMBLY SS			