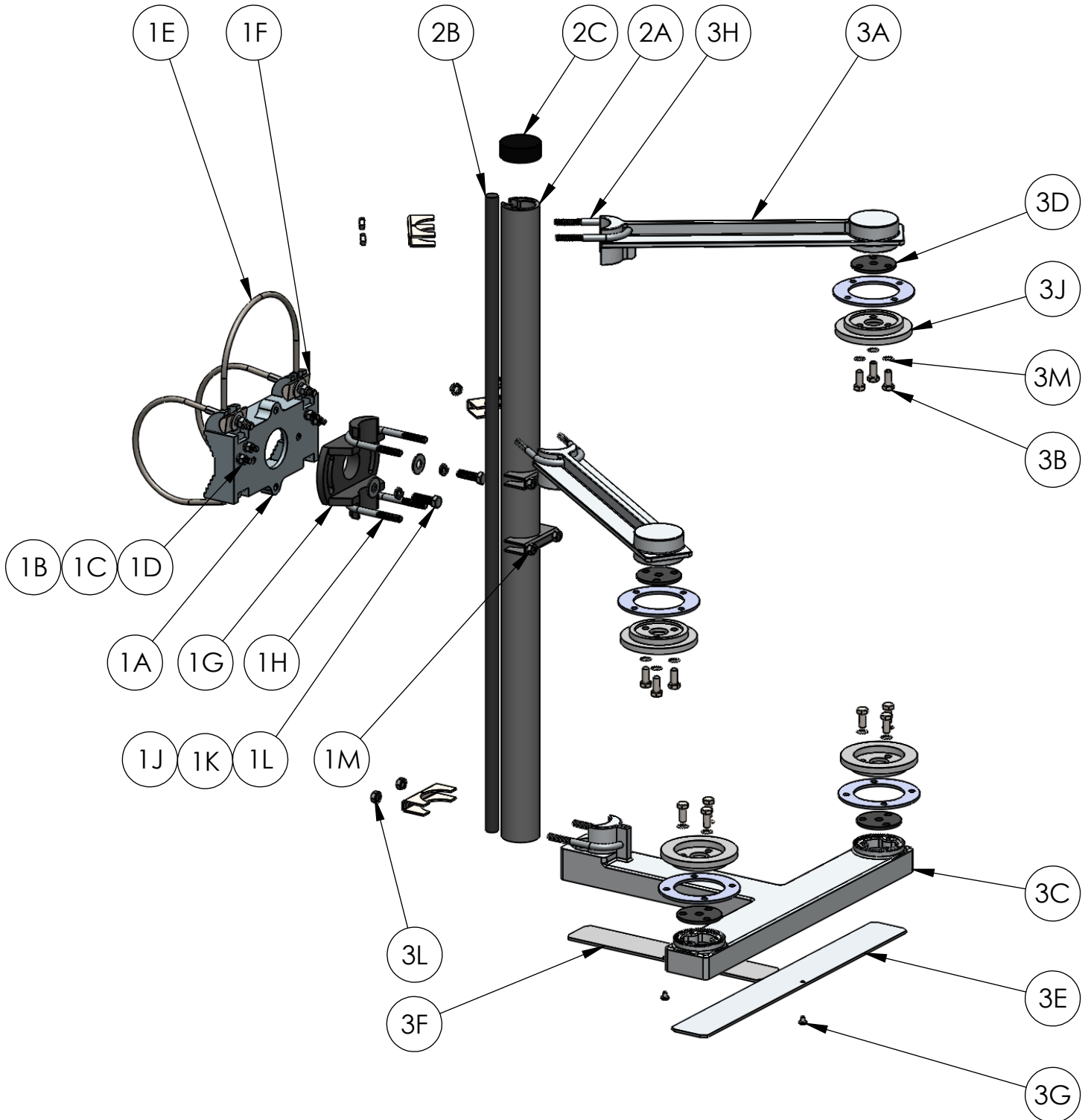


STAINLESS STEEL
3M 2 WAY CLUSTER SIGNAL MOUNT - CABLE STYLE



PARTS LIST**FOR****STAINLESS STEEL****3M 2 WAY CLUSTER SIGNAL MOUNT - CABLE STYLE**

ITEM	QTY	PART NUMBER	DESCRIPTION
1	1	SS-SBCXX-SCK	KIT, CLAMP ASSEMBLY
1A	1	1092-2-B	SADDLE, MACHINED
1B	2		U-BOLT, CABLE LOCK SS
1C	4	1086-26-SS	NUT, 5/16" HEX SS
1D	4	46-0031	WASHER, 5/16" LOCK SS
1E	1	46-0003	CABLE, ASSEMBLY 66" SS
		46-0002	CABLE, ASSEMBLY 90" SS
		46-0041	CABLE, ASSEMBLY 120" SS
		46-0039	CABLE, ASSEMBLY 165" SS
1F	2		STOP, CABLE
1G	1	1086-1	SWIVEL, CASTING
1H	2	1086-17-SS	U-BOLT ASSEMBLY SS
1J	2	1086-20-SS	BOLT, 3/8" X 1" HEX HEAD SS
1K	2	1086-21-SS	WASHER, 3/8" FLAT SS
1L	2	1086-22-SS	WASHER, 3/8" LOCK SS
1M	4	1086-26-SS	NUT, 5/16" HEX SS
2	1	1086-8-XXTK	KIT, EXTRUSION TUBE
2A	1	1086-8-46	EXTRUSION TUBE 46"
	1	1086-8-60	EXTRUSION TUBE 60"
	1	1086-8-74	EXTRUSION TUBE 74"
2B	1	1086-10-46	FOAM SEAL 46"
	1	1086-10-60	FOAM SEAL 60"
	1	1086-10-74	FOAM SEAL 74"
2C	1	1086-9	CAP, TUBE
3	1	SS-SB-3M2WAYAK	KIT, 3M 2 WAY ARM SS
3A	2	0289-2-A	ARM, UPPER MACHINED
3B	12	0289-5-SS	BOLT, 5/16-18 X 3/4 HH SS
3C	1	0290-2-A	ARM, LOWER MACHINED
3D	4	1086-11-A	SEAL, LOWER
3E	1	0290-3	COVER, WIRE
3F	1	0290-4	COVER, WIRE
3G	2	46-0050	SCREW, COVER SS
3H	3	1086-17-SS	U-BOLT ASSEMBLY SS
3J	4	0289-3	CASTING, RING
3L	6	1086-26-SS	NUT, 5/16" HEX SS
3M	18	46-0031	WASHER, 5/16" LOCK SS