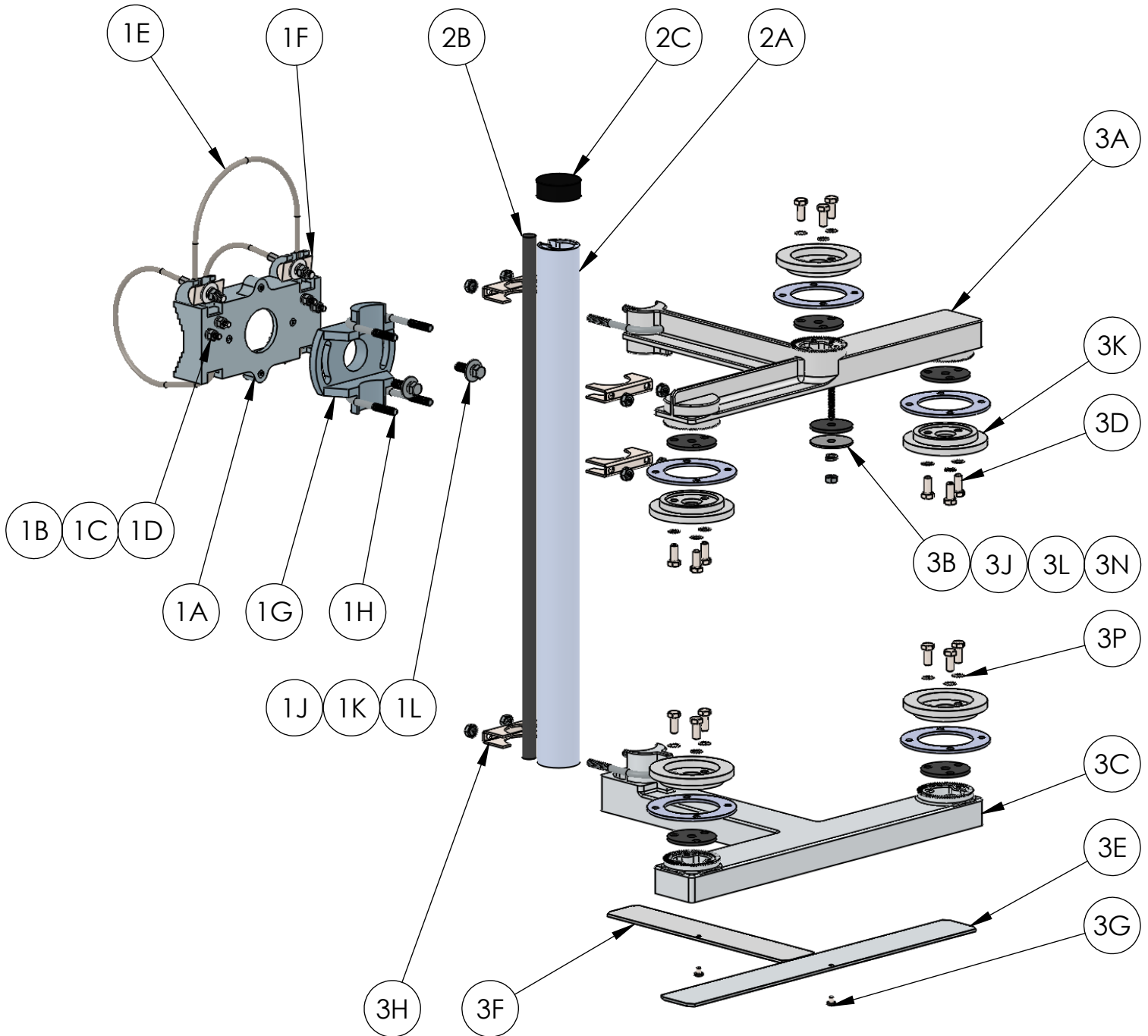


STAINLESS STEEL
3M CLUSTER SIGNAL MOUNT - CABLE STYLE



3M CLUSTER SIGNAL MOUNT - CABLE STYLE

ITEM	QTY	PART NUMBER	DESCRIPTION			
1	1	SS-SBCXX-SCK	KIT, CLAMP ASSEMBLY			
1A	1	1092-2-B	SADDLE, MACHINED			
1B	2		U-BOLT, CABLE LOCK SS			
1C	4	1086-26-SS	NUT, 5/16" HEX SS			
1D	4	46-0031	WASHER, 5/16" LOCK SS			
1E	1	46-0003	CABLE, ASSEMBLY 66" SS			
		46-0002	CABLE, ASSEMBLY 90" SS			
		46-0041	CABLE, ASSEMBLY 120" SS			
		46-0039	CABLE, ASSEMBLY 165" SS			
1F	2		STOP, CABLE			
1G	1	1086-1	SWIVEL, CASTING			
1H	2	1086-17-SS	U-BOLT ASSEMBLY SS			
1J	2	1086-20-SS	BOLT, 3/8" X 1" HEX HEAD SS			
1K	2	1086-21-SS	WASHER, 3/8" FLAT SS			
1L	2	1086-22-SS	WASHER, 3/8" LOCK SS			
2	1	1086-8-XXTK	KIT, EXTRUSION TUBE			
2A	1	1086-8-46	EXTRUSION TUBE 46"			
	1	1086-8-60	EXTRUSION TUBE 60"			
	1	1086-8-74	EXTRUSION TUBE 74"			
2B	1	1086-10-46	FOAM SEAL 46"			
	1	1086-10-60	FOAM SEAL 60"			
	1	1086-10-74	FOAM SEAL 74"			
2C	1	1086-9	CAP, TUBE			
3	1	SS-SB-3MCBAK	KIT, 3M ARM SS			
3A	1	0290-1-A	ARM, UPPER MACHINED			
3B	1	1086-24-A-SS	STUD, UPPER SS			
3C	1	0290-2-A	ARM, LOWER MACHINED			
3D	15	0289-5-SS	BOLT 5/16-18 x 3/4 HH SS			
3E	1	0290-3	COVER, WIRE			
3F	1	0290-4	COVER, WIRE			
3G	2	46-0050	SCREW, COVER SS			
3H	2	1086-17-SS	U-BOLT ASSEMBLY SS			
3J	1	1086-15-SS	RETAINER, UPPER SS			
3K	5	0289-3	CASTING, RING			
3L	1	1086-11	SEAL, UPPER			
3N	1	1086-26-SS	NUT, 5/16" HEX SS			
3P	16	46-0031	WASHER, 5/16" LOCK SS			