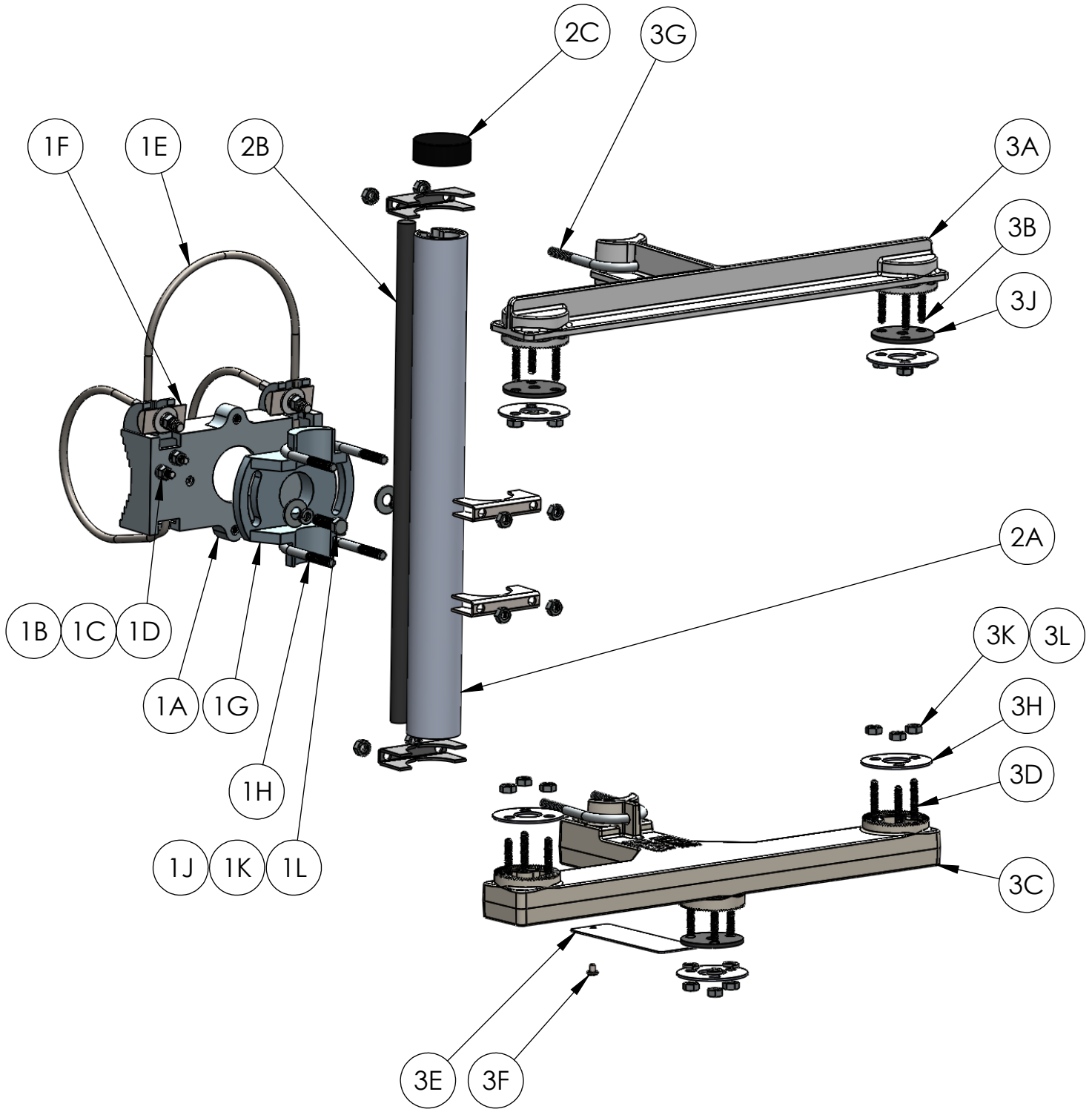


*HAWK PEDESTRIAN BEACON MOUNTING - CABLE STYLE*



### **HAWK SIGNAL MOUNT - CABLE STYLE**

<b>ITEM</b>	<b>QTY</b>	<b>PART NUMBER</b>	<b>DESCRIPTION</b>			
<b>1</b>	<b>1</b>	<b>SS-SBCXX-SCK</b>	<b>KIT, CLAMP ASSEMBLY</b>			
1A	1	1092-2-B	SADDLE, MACHINED			
1B	2		U-BOLT, CABLE LOCK SS			
1C	4	1086-26-SS	NUT, 5/16" HEX SS			
1D	4	46-0031	WASHER, 5/16" LOCK SS			
1E	1	46-0003	CABLE, ASSEMBLY 66" SS			
		46-0002	CABLE, ASSEMBLY 90" SS			
		46-0041	CABLE, ASSEMBLY 120" SS			
		46-0039	CABLE, ASSEMBLY 165" SS			
1F	2		STOP, CABLE			
1G	1	1086-1	SWIVEL, CASTING			
1H	2	1086-17-SS	U-BOLT ASSEMBLY SS			
1J	2	1086-20-SS	BOLT, 3/8" X 1" HEX HEAD SS			
1K	2	1086-21-SS	WASHER, 3/8" FLAT SS			
1L	2	1086-22-SS	WASHER, 3/8" LOCK SS			
<b>2</b>	<b>1</b>	<b>1086-8-18 TK</b>	<b>KIT, EXTRUSION TUBE</b>			
2A	1	1086-8-18	EXTRUSION TUBE 18"			
2B	1	1086-10-18	FOAM SEAL 18"			
2C	1	1086-9	CAP, TUBE			
<b>3</b>	<b>1</b>	<b>SS-SB-HPBAK</b>	<b>KIT, ARM SS</b>			
3A	1	0810-1-A	ARM, UPPER MACHINED			
3B	6	1086-24-A-SS	STUD, UPPER SS			
3C	1	0810-2-A	ARM, LOWER MACHINED			
3D	9	1086-24-B-SS	STUD, LOWER SS			
3E	1	0111-3	COVER, WIRE			
3F	1	46-0050	SCREW, COVER SS			
3G	2	1086-17-SS	U-BOLT ASSEMBLY SS			
3H	5	1086-14-SS	RETAINER, LOWER SS			
3J	5	1086-11-A	SEAL, UPPER			
3K	15	1086-26-SS	NUT, 5/16" HEX SS			
3L	15	46-0031	WASHER, 5/16" LOCK SS			