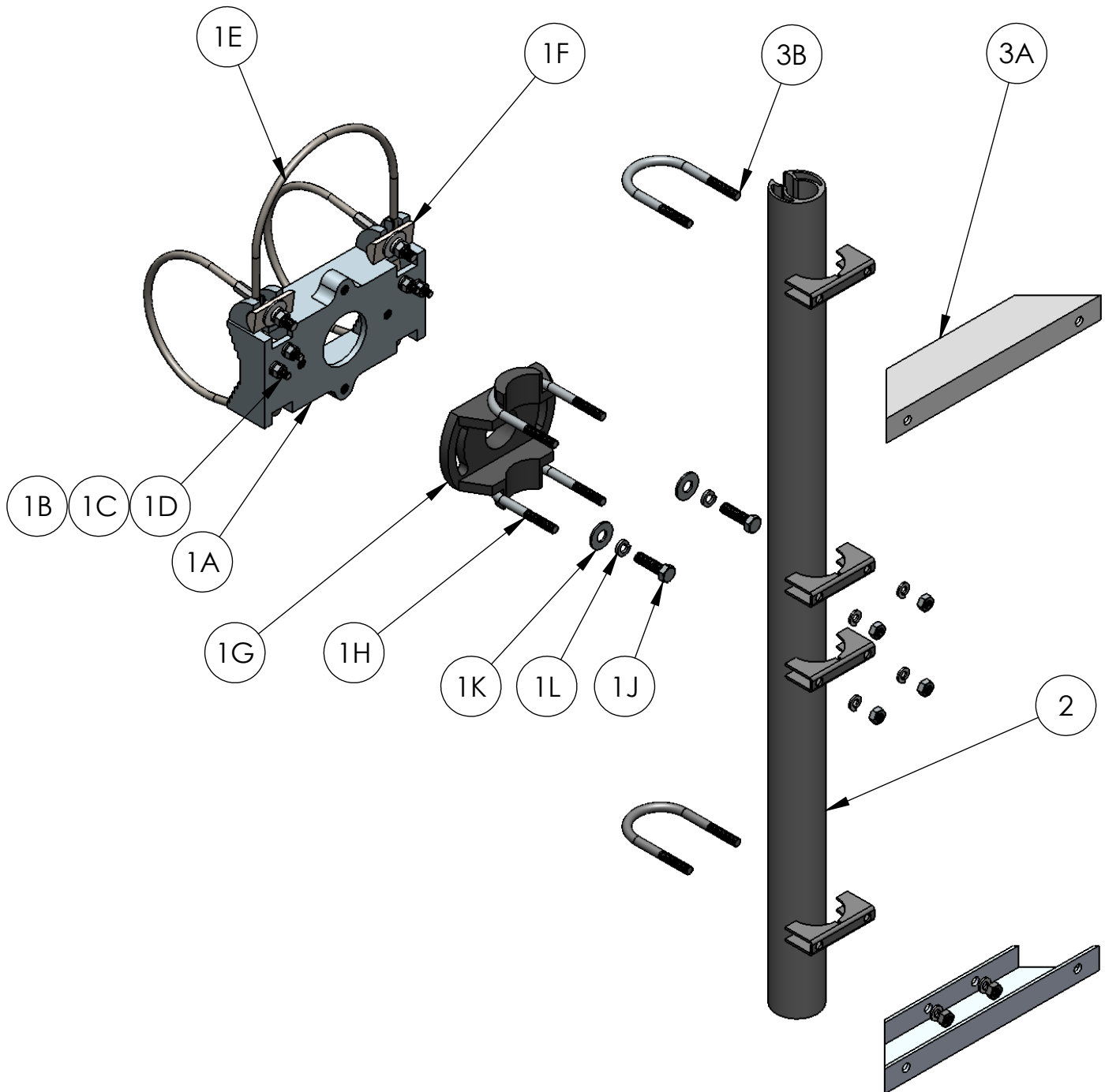


SIGN KIT - CABLE STYLE



PARTS LIST						
FOR						
STAINLESS STEEL						
SIGN MOUNT - CABLE STYLE						
ITEM	QTY	PART NUMBER	DESCRIPTION			
1	1	SS-SBCXX-SCK	KIT, CLAMP ASSEMBLY SS			
1A	1	1092-2-B	SADDLE, MACHINED			
1B	2		U-BOLT, CABLE LOCK SS			
1C	4	1086-26-SS	NUT, 5/16" HEX SS			
1D	4	46-0031	WASHER, 5/16" LOCK SS			
1E	2	46-0003	CABLE, ASSEMBLY 66" SS			
		46-0002	CABLE, ASSEMBLY 90" SS			
		46-0041	CABLE, ASSEMBLY 120" SS			
		46-0039	CABLE, ASSEMBLY 165" SS			
1F	2		STOP, CABLE			
1G	1	1086-1	SWIVEL CASTING			
1H	2	1086-17-SS	U-BOLT ASSEMBLY SS			
1J	2	1086-20-SS	BOLT, 3/8" X 1" HEX HEAD SS			
1K	2	1086-21-SS	WASHER, 3/8" FLAT SS			
1L	2	1086-22-SS	WASHER, 3/8" LOCK SS			
2	1	1086-8-XXTK	KIT, EXTRUSION TUBE			
		1086-8-24	EXTRUSION TUBE 24"			
		1086-8-46	EXTRUSION TUBE 46"			
		1086-8-60	EXTRUSION TUBE 60"			
		1086-8-74	EXTRUSION TUBE 74"			
		1086-8-96	EXTRUSION TUBE 96"			
3	1	SS-SB2-XX	KIT, SIGN CHANNEL SS			
3A	2	0389-1-8	SUPPORT, CHANNEL 8"			
		0389-1-14	SUPPORT, CHANNEL 14"			
		0389-1-23	SUPPORT, CHANNEL 23"			
3B	2	1086-17-SS	U-BOLT ASSEMBLY SS			