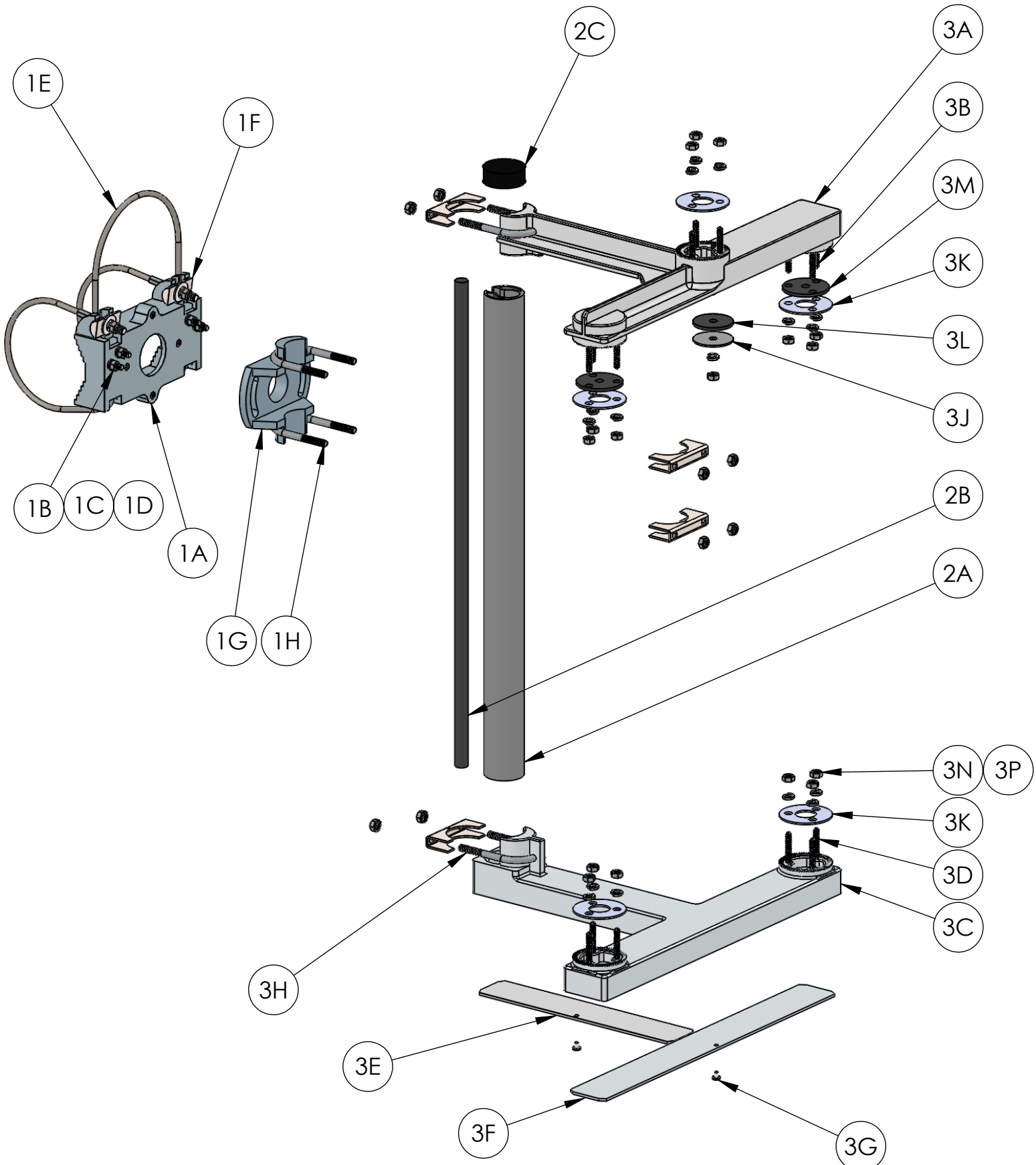


STANDARD CLUSTER MOUNTING - CABLE STYLE



PARTS LIST
FOR
STAINLESS STEEL
CLUSTER SIGNAL MOUNT - CABLE STYLE

ITEM	QTY	PART NUMBER	DESCRIPTION
1	1	SS-SBCXX-SCK	KIT, CLAMP ASSEMBLY
1A	1	1092-2-B	SADDLE, MACHINED
1B	2		U-BOLT, CABLE LOCK SS
1C	4	1086-26-SS	NUT, 5/16" HEX SS
1D	4	46-0031	WASHER, 5/16" LOCK SS
1E	1	46-0003	CABLE, ASSEMBLY 66" SS
		46-0002	CABLE, ASSEMBLY 90" SS
		46-0041	CABLE, ASSEMBLY 120" SS
		46-0039	CABLE, ASSEMBLY 165" SS
1F	2		STOP, CABLE
1G	1	1086-1	SWIVEL, CASTING
1H	2	1086-17-SS	U-BOLT ASSEMBLY SS
1J	2	1086-20-SS	BOLT, 3/8" X 1" HEX HEAD SS
1K	2	1086-21-SS	WASHER, 3/8" FLAT SS
1L	2	1086-22-SS	WASHER, 3/8" LOCK SS
2	1	1086-8-XXTK	KIT, EXTRUSION TUBE
2A	1	1086-8-46	EXTRUSION TUBE 46"
	1	1086-8-60	EXTRUSION TUBE 60"
	1	1086-8-74	EXTRUSION TUBE 74"
2B	1	1086-10-46	FOAM SEAL 46"
	1	1086-10-60	FOAM SEAL 60"
	1	1086-10-74	FOAM SEAL 74"
2C	1	1086-9	CAP, TUBE
3	1	SS-SB-SCBAK	KIT, ARM SS
3A	1	0290-1-A	ARM, UPPER MACHINED
3B	10	1086-24-A-SS	STUD, UPPER SS
3C	1	0290-2-A	ARM, LOWER MACHINED
3D	6	1086-24-B-SS	STUD, LOWER SS
3E	1	0290-3	COVER, WIRE
3F	1	0290-4	COVER, WIRE
3G	2	46-0050	SCREW, COVER SS
3H	2	1086-17-SS	U-BOLT ASSEMBLY SS
3J	1	1086-15-SS	RETAINER, UPPER SS
3K	5	1086-14-SS	RETAINER, LOWER SS
3L	1	1086-11	SEAL, UPPER
3M	5	1086-11-A	SEAL, UPPER
3N	16	1086-26-SS	NUT, 5/16" HEX SS
3P	16	46-0031	WASHER, 5/16" LOCK SS