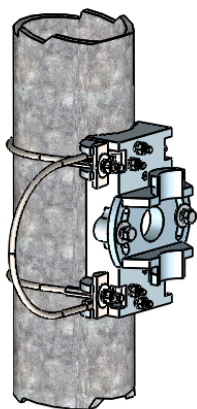
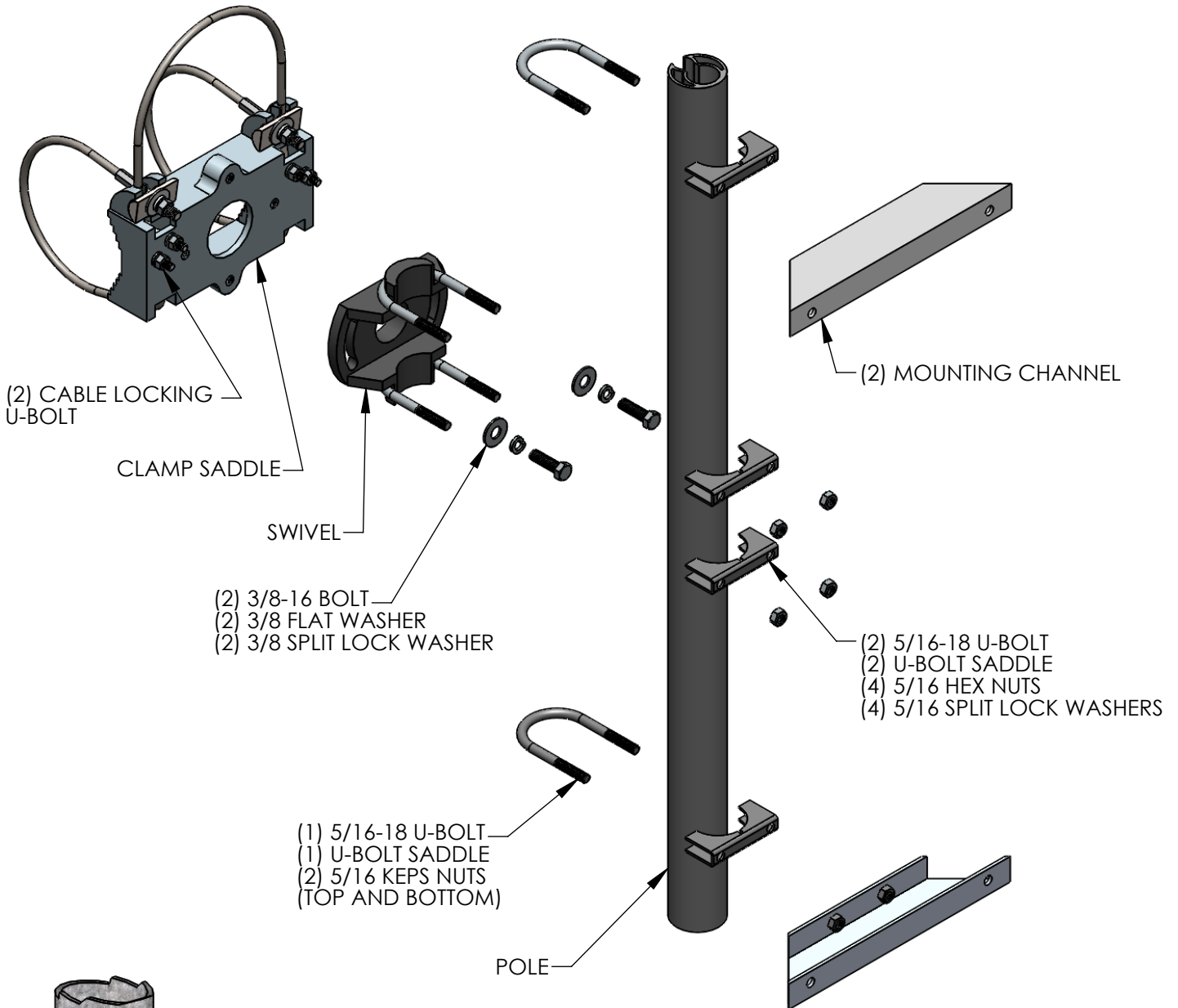


### SIGN KIT - CABLE STYLE



ALTERNATE MOUNTING

TORQUE CHART	
FASTENER SIZE	TORQUE
5/16"	10 FT-LBS
3/8"	15 FT-LBS
1/2"	15 FT-LBS

## Installation Instructions

### Sign Mount – Cable Style

#### **Preparation:**

Read and understand these instructions prior to beginning.

Review installation instructions provided by sign manufacturer. Verify mounting location and method is acceptable.

Check parts against the installation drawing accompanying these instructions, verify all necessary components are present and undamaged.

Review tools required to perform the installation, ensure all tools are present and in good working order prior to beginning the installation process.

Safety first! Review and adhere to all applicable work zone safety information to ensure installer safety.

#### **Installation:**

Determine mounting location - When determining the mounting location careful thought must be given to ensure access to tensioning components, adjustment screws and electrical connections.

Mount saddle bracket – Position saddle on mast arm with cable loop on top. While holding saddle in position route loose cable ends under mast arm and place cable stops in cradles on saddle. Take care to ensure cable is laying in groove in cradles. Pull up on the “loop” to remove all slack. Tighten 2 cable locking u-bolts. Adjust position of saddle if required. Tighten cables while keeping studs on cable from turning. Cable must be tight enough to ensure mounting bracket does not shift or slip under load.

Secure excess cable – Excess cable may be secured to the mast arm/clamp by plastic ties or other methods. (Not supplied)

Install mounting channels – Utilizing hardware supplied by sign manufacturer, attach mounting channels to back of sign with long flange of channels contacting sign. Additional holes may be added to channel flange as required.

Install extrusion tube – Loosely install extrusion tube to mounting channels with supplied u-bolts and saddles *hand tighten* only.

Mount swivel casting – After determining the approximate desired location, taking care to keep the slot in the middle of casting attach swivel to extruded pole with u-bolts and saddles *hand tighten* only.

Assemble sign – Position the assembly on the face of saddle using the cast in boss on the swivel as a locator, bolt the assembly in place with the supplied 3/8” hardware *hand tighten* only.

Adjust sign – Move sign along length of extrusion tube to desired location. Care should be taken to keep swivel as close to center of extrusion tube as possible.

Tighten mounting hardware – After adjusting the sign securely tighten all fasteners. 5/16” hardware to be torque to 10 ft lbs, 3/8” hardware to be torqued to 15 ft lbs, 1/2” hardware to be torqued to 20 ft lbs.

#### **Inspection:**

Review installation – Verify all hardware is tightened to proper specifications and cable is sufficiently tight to prevent movement.

Sign view – Verify sign is positioned properly, sign may be readjusted by loosening threaded hardware as required. Retighten hardware if adjustments are required.