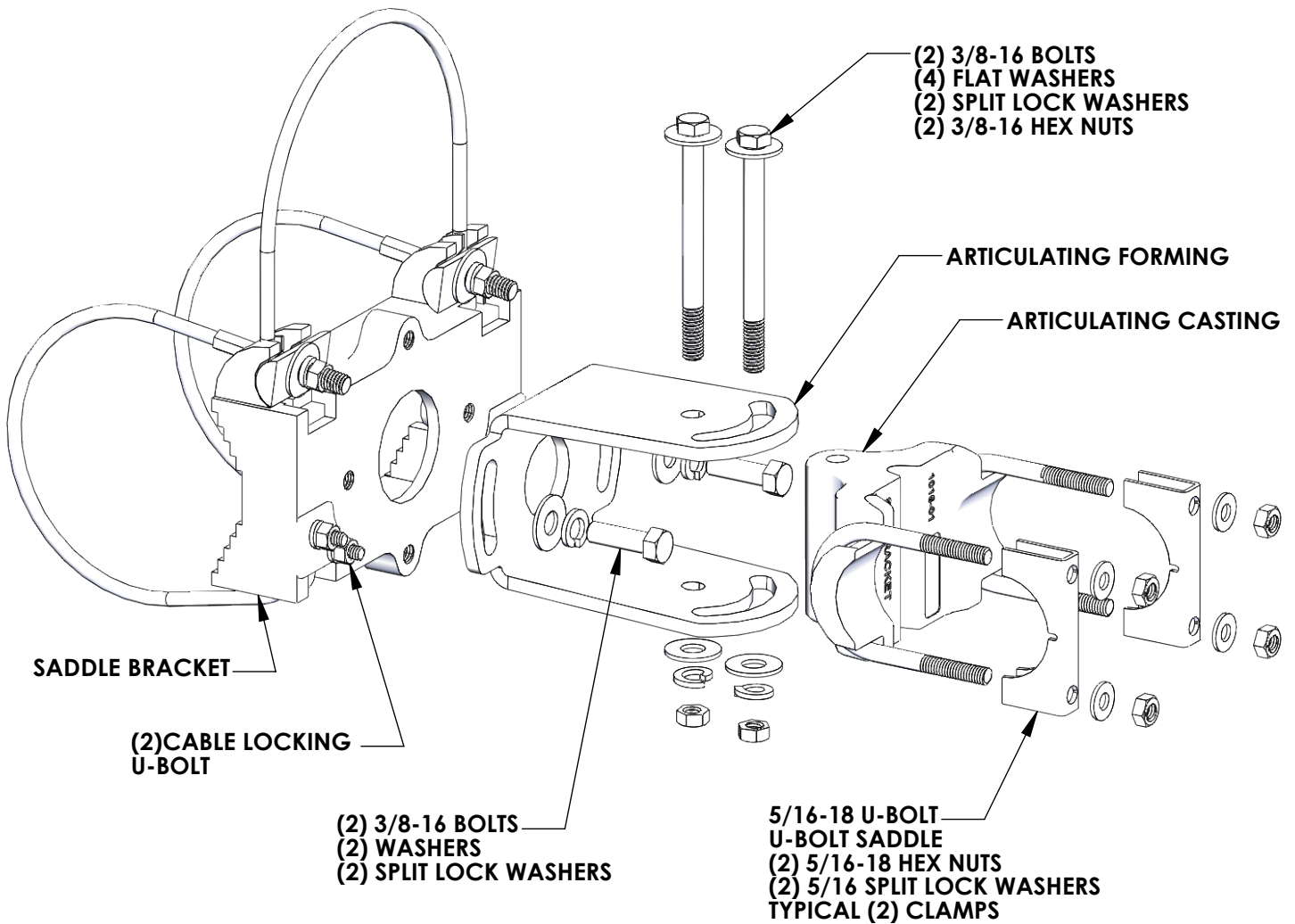


STAINLESS STEEL  
ARTICULATING CABLE STYLE - CLAMP KIT



**TORQUE CHART**

FASTENER SIZE	TORQUE
5/16"	10 FT-LBS
3/8"	15 FT-LBS
1/2"	15 FT-LBS

## Installation Instructions

### Articulating Cable Style Clamp

#### **Preparation:**

Read and understand these instructions prior to beginning.

Review installation instructions provided by signal manufacturer. Verify mounting location and method is acceptable.

Check parts against the installation drawing accompanying these instructions, verify all necessary components are present and undamaged.

Review tools required to perform the installation, ensure all tools are present and in good working order prior to beginning the installation process.

Safety first! Review and adhere to all applicable work zone safety information to ensure installer safety.

#### **Installation:**

Determine mounting location - When determining the mounting location careful thought must be given to ensure access to tensioning components, adjustment screws and electrical connections.

Mount saddle bracket – Position saddle on mast arm with cable loop on top. While holding saddle in position route loose cable ends under mast arm and place cable stops in cradles on saddle. Take care to ensure cable is laying in groove in cradles. Pull up on the “loop” to remove all slack. Tighten 2 cable locking u-bolts. Adjust position of saddle if required. Tighten cables while keeping studs on cable from turning. Cable must be tight enough to ensure mounting bracket does not shift or slip under load.

Mount articulating forming - Position forming on saddle face as shown, bolt in place with the supplied 3/8” hardware *hand tighten* only.

Mount articulating casting – considering the desired finished location of the product being installed, determine approximately where the center of the clamp would be located. Install the articulating casting to the extrusion tube with u-bolts and saddles *hand tighten* only.

Assemble product to saddle – Position the assembly from previous step between legs of formed part. Bolt the assembly in place with the supplied 3/8” hardware *hand tighten* only.

Tighten mounting hardware – After aiming the signal securely tighten all fasteners. 5/16” hardware to be torqued to 10 ft lbs, 3/8” hardware to be torqued to 15 ft lbs, 1/2” hardware to be torqued to 20 ft lbs.

Secure excess cable – Excess cable may be secured to the mast arm/clamp by plastic ties or other methods. (Not supplied)

#### **Inspection:**

Review installation – Verify all hardware is tightened to proper specifications.