

# SKYBRACKET®

## MAST ARM SIGN KITS



### Sky Bracket Sign Kits

The Sky Bracket sign kits provide a heavy duty mounting platform for a wide array of sign applications. Our unique clamp design permits signs to be oriented vertically or horizontally in relation to the clamp. The design incorporates the same heavy duty components as our signal mounting kits allowing the clamp to be mounted vertically or horizontally further increasing the versatility of the design and minimizing the stocking variances.

Multiple tube and mounting channel length options provide user defined configurations to accommodate a wide range of sign sizes. The design permits the addition of additional clamps for large signs or applications requiring extra support.



### BAND CLAMP

*Stainless steel band attachment system attaches clamp saddle to mast arm. Unique pressure screw design adds tension to bands to hold where other band style clamps slip.*



### CABLE CLAMP

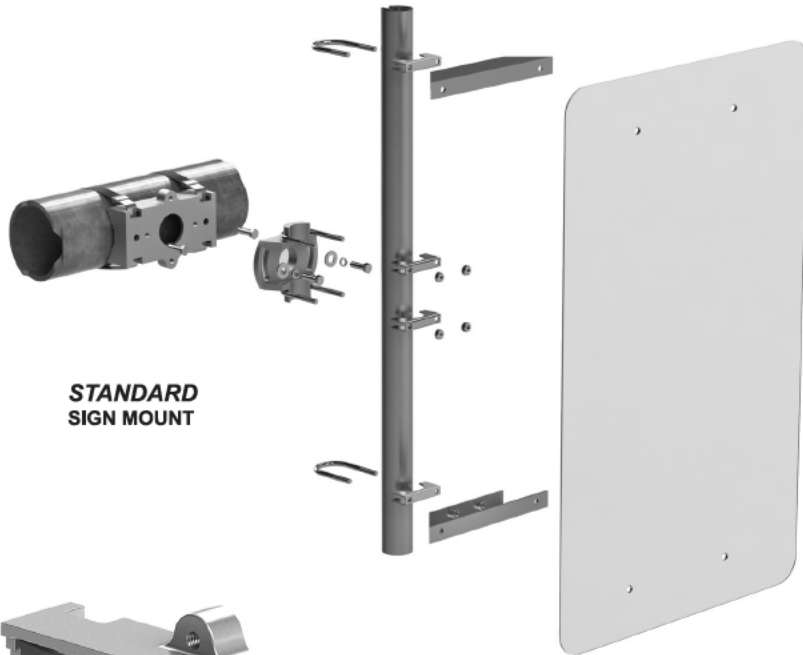
*Cable attachment system attaches clamp saddle to mast arm with a single 3/16" cable. Tensioning requires no special tools.*



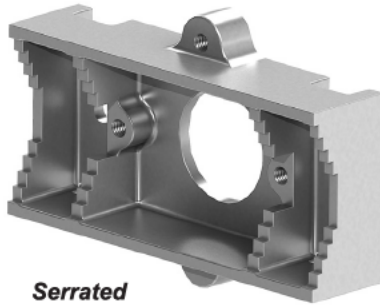
### TENON MOUNT

*Designed exclusively for 2" schedule 40 pipe. 2 1/4" POWER GRIP clamps securely attaches clamp saddle to tenon.*

# MAST ARM SIGN KITS



**STANDARD  
SIGN MOUNT**



**Serrated  
Anti-Slip design**

## Features and Benefits:

- Variety of clamp styles available including Banding, Cable styles and U-bolt style clamp available for 2" Tenon applications.
- Fits virtually all mast arm shapes.
- Saddle castings incorporate multi-tooth serrations to provide a positive grip on mast arm.
- Design places cast components in compression loads rather than stress loads, eliminating catastrophic casting failures.

- Designed for vertical or horizontal mounting.
- No set screws or pipe threads are used to minimize assembly, installation and maintenance problems.
- Components incorporate built in stops, bosses, cradles, and slots for ease of installation.
- POWER GRIP clamps provide unique positioning and holding characteristics with minimal tube distortion.
- Designed to minimize installation time.
- 2 piece saddle/swivel assembly allows simple one-man installation.
- All adjustments can be made with standard combination wrenches.
- Available with stainless steel hardware.
- Band clamp design provides a unique band tensioning device for additional band tension.
- Design permits mounting a wide variety of sign shapes and sizes.
- Multiple channel support and tube length options available.

\*\*Maximum sign area 2000 square  
inches per clamp kit

Local Distributor:

**SKYBRACKET**  
MAST ARM MOUNTING HARDWARE

**Sky Bracket**  
2135 15th Street  
Rockford, IL 61104  
(815) 229-1600 Fax (815) 229-7082  
Sales@SkyBracket.com

Sky Bracket reserves the right under our continuing product improvement program, to change construction or design details & specifications without notice or without incurring any obligation.