

SKYBRACKET®

MAST ARM SIGNAL KITS



3-4-5 Section signals

The standard signal mount is intended for 3, 4, and 5 section lights. The versatile design permits infinite signal head adjustment. Vertical or horizontal installation.

Standard Cluster

The standard cluster mount provides a robust mount for a standard cluster configuration. The design utilizes covered access to wiring while protecting the wiring.



2 Way Variable Cluster

The 2 way variable mounts independent upper arms provide a versatile mount for multiple head heights. Tri-stud upper arms provide extra holding power and security.



HAWK Pedestrian Beacon Mount

The HAWK mount provides the industries simplest pedestrian beacon mount. A simple upper and mid-arm design simplifies the mounting process and reduces the weight and installation time.



BAND CLAMP

Stainless steel band attachment system attaches clamp saddle to mast arm. Unique pressure screw design adds tension to bands to hold where other band style clamps slip.



CABLE CLAMP

Cable attachment system attaches clamp saddle to mast arm with a single 3/16" cable. Tensioning requires no special tools.



TENON MOUNT

Designed exclusively for 2" schedule 40 pipe. 2 1/4" POWER GRIP clamps securely attaches clamp saddle to tenon.

MEMBER



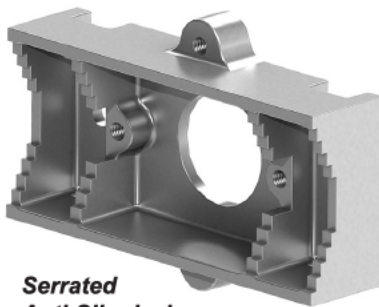
MAST ARM SIGNAL KITS

Features and Benefits:

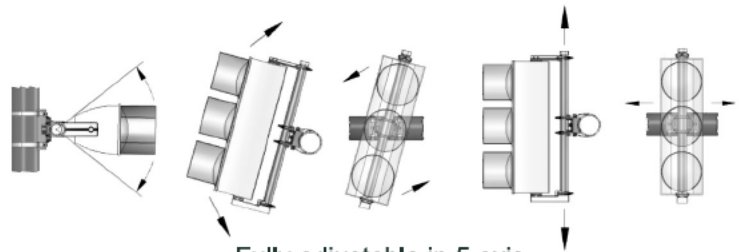
- Variety of clamp styles available including Banding, Cable styles and U-bolt style clamp available for 2" Tenon applications.
- Fits virtually all mast arm shapes.
- Saddle castings incorporate multi-tooth serrations to provide a positive grip on mast arm.
- Design places cast components in compression loads rather than stress loads, eliminating catastrophic casting failures.
- Designed for vertical or horizontal mounting.
- No set screws or pipe threads are used to minimize assembly, installation and maintenance problems.
- Components incorporate built in stops, bosses, cradles, and slots for ease of installation.
- Standard designs allow mounting most OEM traffic signal heads, 3M kits are available for use in optically programmable applications requiring longer arms.
- POWER GRIP clamps provide unique positioning and holding characteristics with minimal tube distortion.
- Support arms incorporate industry standard 72 locking serrations to mate with signal heads.
- Designed to minimize installation time.
- 2 piece saddle/swivel assembly allows simple one-man installation.
- Studs are preassembled to support arms to reduce assembly times.
- Designs incorporate a unique push-in non-directional rope type wire seal that permits installation in cold weather.
- Wiring is concealed and protected in tube and arm castings. An aluminum cover plate is provided for access to wiring in arm.
- All adjustments can be made with standard combination wrenches.
- Available with stainless steel hardware.
- Band clamp design provides a unique band tensioning device for additional band tension.



**STANDARD
SIGNAL MOUNT**



**Serrated
Anti-Slip design**



- Fully adjustable in 5 axis.

Local Distributor:

SKYBRACKET
MAST ARM MOUNTING HARDWARE

Sky Bracket
2135 15th Street
Rockford, IL 61104
(815) 229-1600 Fax (815) 229-7082
Sales@SkyBracket.com

Sky Bracket reserves the right under our continuing product improvement program, to change construction or design details & specifications without notice or without incurring any obligation.