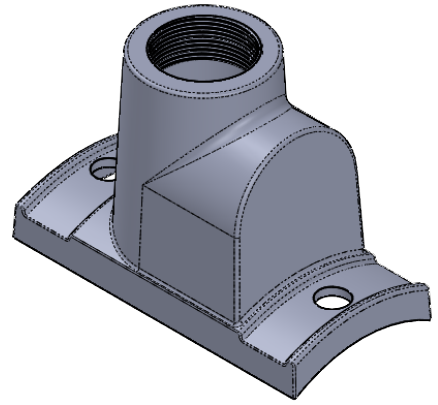
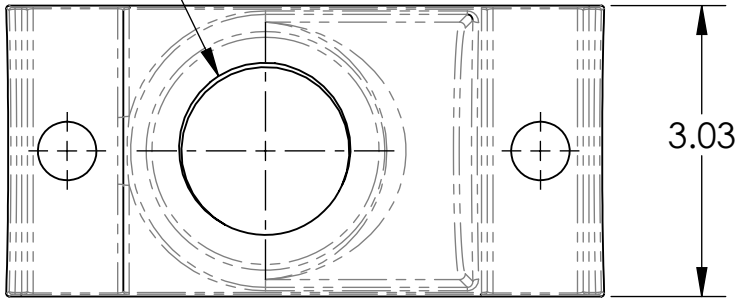


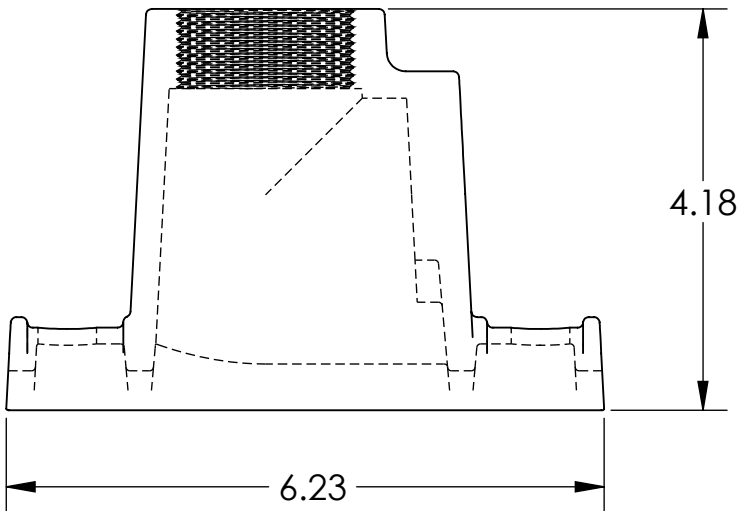
THE INFORMATION CONTAINED IN THIS DRAWING IS THE SOLE PROPERTY OF OLSON ALUMINUM CASTINGS. ANY REPRODUCTION IN PART OR WHOLE WITHOUT THE WRITTEN PERMISSION OF OLSON ALUMINUM CASTINGS IS PROHIBITED.



1 1/2" NPS



3.03



4.18

UNLESS OTHERWISE SPECIFIED
DIMENSIONS ARE IN INCHES
TOLERANCES ARE:
FRACTIONS DECIMALS ANGLES
.XX +/- .015 +/- 1/2
.XXX +/- .005

MATERIAL
356-T6

FINISH
--

DO NOT SCALE DRAWING

CAD GENERATED DRAWING,
DO NOT MANUALLY UPDATE

APPROVALS		DATE
DRAWN	TRC	6/26/24
CHECKED		
RESP ENG		
MFG ENG		
QUAL ENG		



PLATE, EXTENDED POLE

SIZE B	DWG. NO. 10-008 DATA SHEET	REV. A
SCALE: 1:2		CAD FILE: 10-008 DATA SHEET
SHEET 1		OF 1