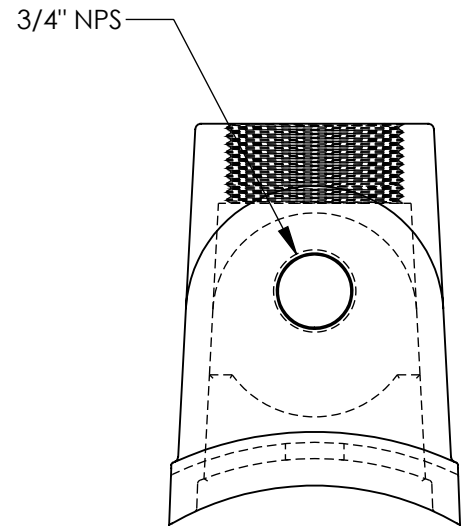
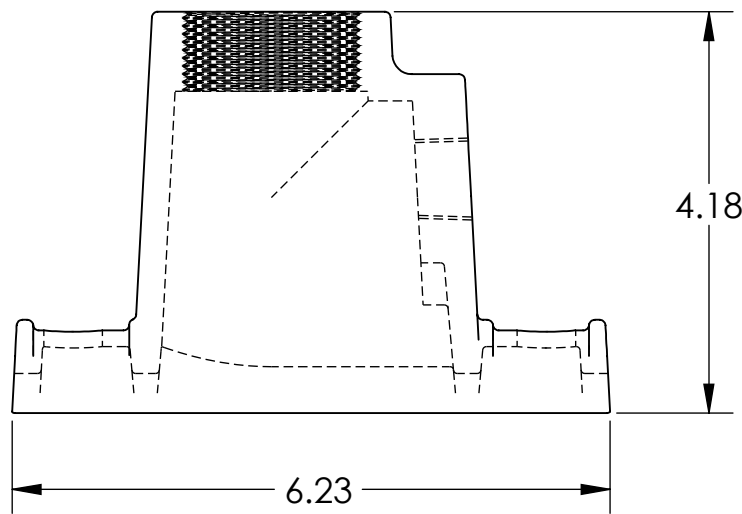
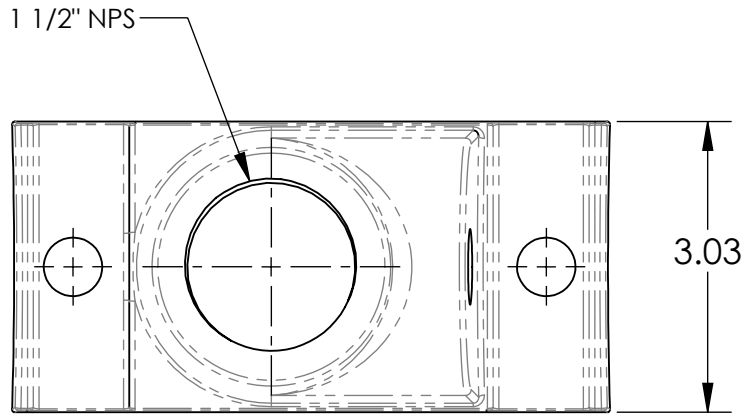
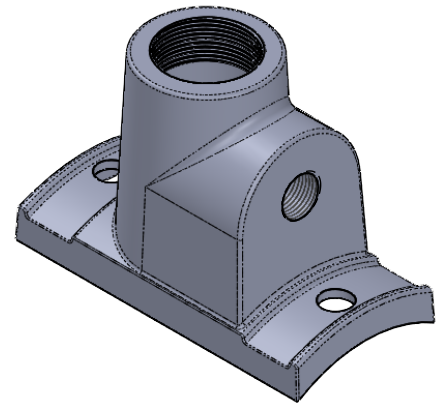


THE INFORMATION CONTAINED IN THIS DRAWING IS THE SOLE PROPERTY OF OLSON ALUMINUM CASTINGS. ANY REPRODUCTION IN PART OR WHOLE WITHOUT THE WRITTEN PERMISSION OF OLSON ALUMINUM CASTINGS IS PROHIBITED.



UNLESS OTHERWISE SPECIFIED DIMENSIONS ARE IN INCHES TOLERANCES ARE:		
FRACTIONS	DECIMALS	ANGLES
.XX	+/- .015	+/- 1/2
.XXX	+/- .005	
MATERIAL	356-T6	
FINISH	--	
DO NOT SCALE DRAWING		

CAD GENERATED DRAWING, DO NOT MANUALLY UPDATE	
APPROVALS	DATE
DRAWN TRC	6/26/24
CHECKED	
RESP ENG	
MFG ENG	
QUAL ENG	

PLATE, EXTENDED POLE		
SIZE B	DWG. NO. 10-016 DATA SHEET	REV. A
SCALE: 1:2	CAD FILE: 10-016 DATA SHEET	SHEET 1 OF 1