

TERMINAL BLOCK
(18 POSITION)

HOUSING CAST
ALUMINUM

(2) DRIVE PIN

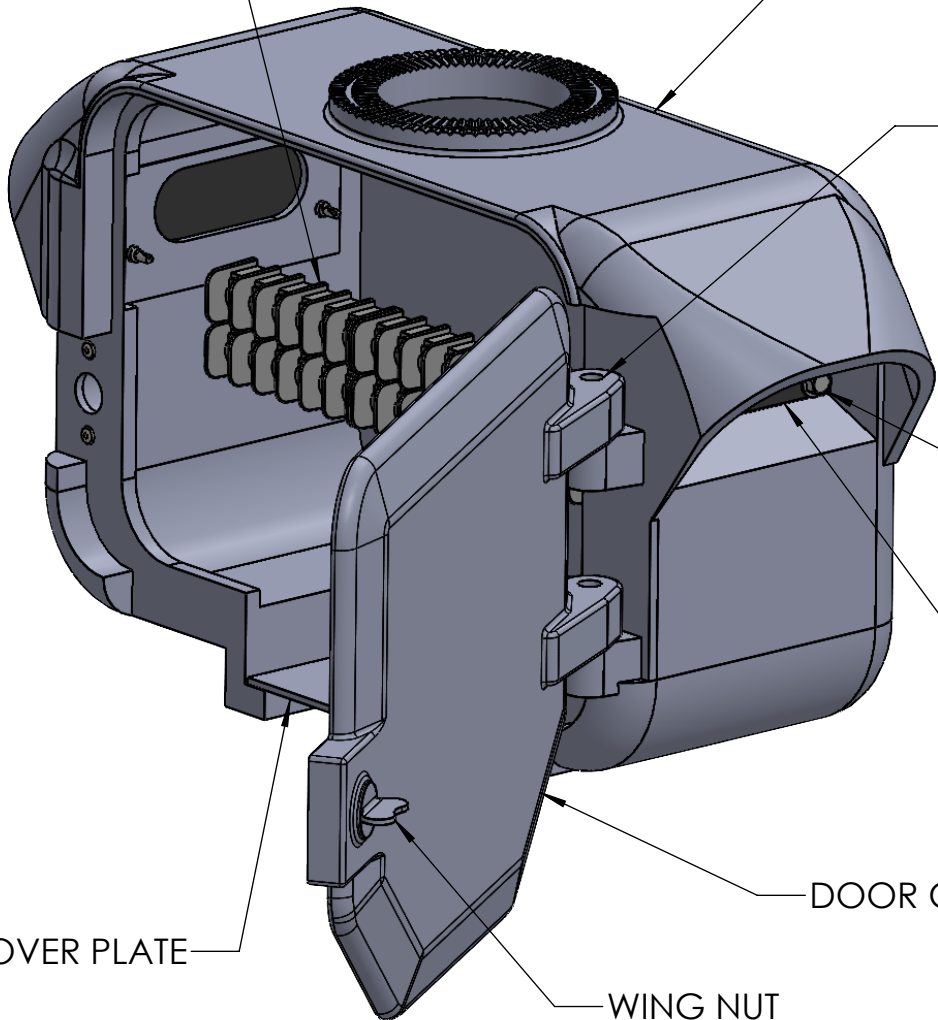
(4) #8 x 5/8"
SELF TAPPING SCREW

(2) RUBBER SEAL

DOOR CAST ALUMINUM

COVER PLATE

WING NUT



NOTES:

1. STAINLESS STEEL HARDWARE.
2. PLATED STEEL HARDWARE AVAILABLE.

THE INFORMATION CONTAINED IN THIS DRAWING IS THE SOLE PROPERTY OF SKYBRACKET. ANY REPRODUCTION IN PART OR WHOLE WITHOUT THE WRITTEN PERMISSION OF SKYBRACKET IS PROHIBITED.



| APPROVALS | BY | DATE |
|-------------|-----|------------|
| | TRC | 03/18/2021 |
| SALES | | |
| ENGINEERING | | |

| | | | | |
|----------------------|----------|-----|----------------------------|--------------|
| TITLE | | | DISCONNECT HOUSING | |
| SIZE | DWG. NO. | REV | | |
| A | 12-043 | - | | |
| DO NOT SCALE DRAWING | | | SCALE: NTS CAD FILE:12-043 | SHEET 1 OF 1 |