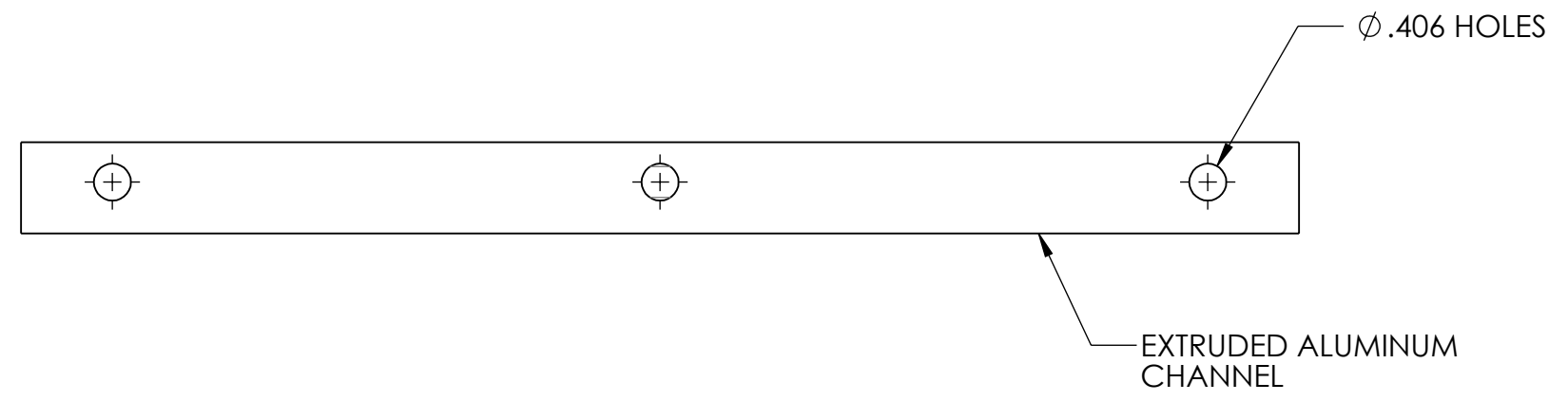
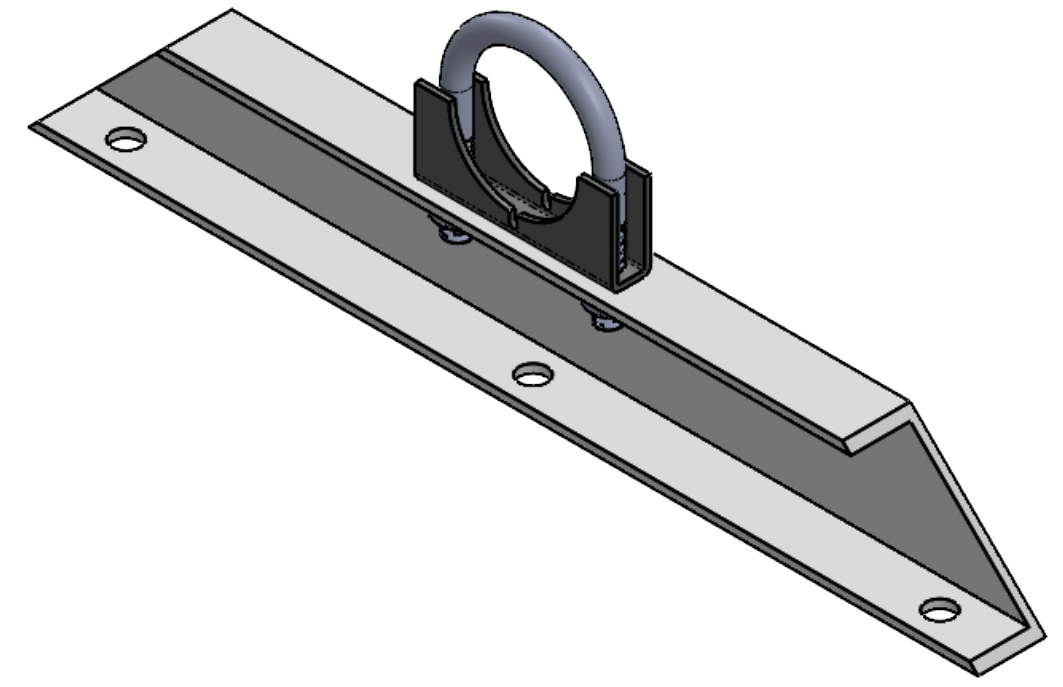
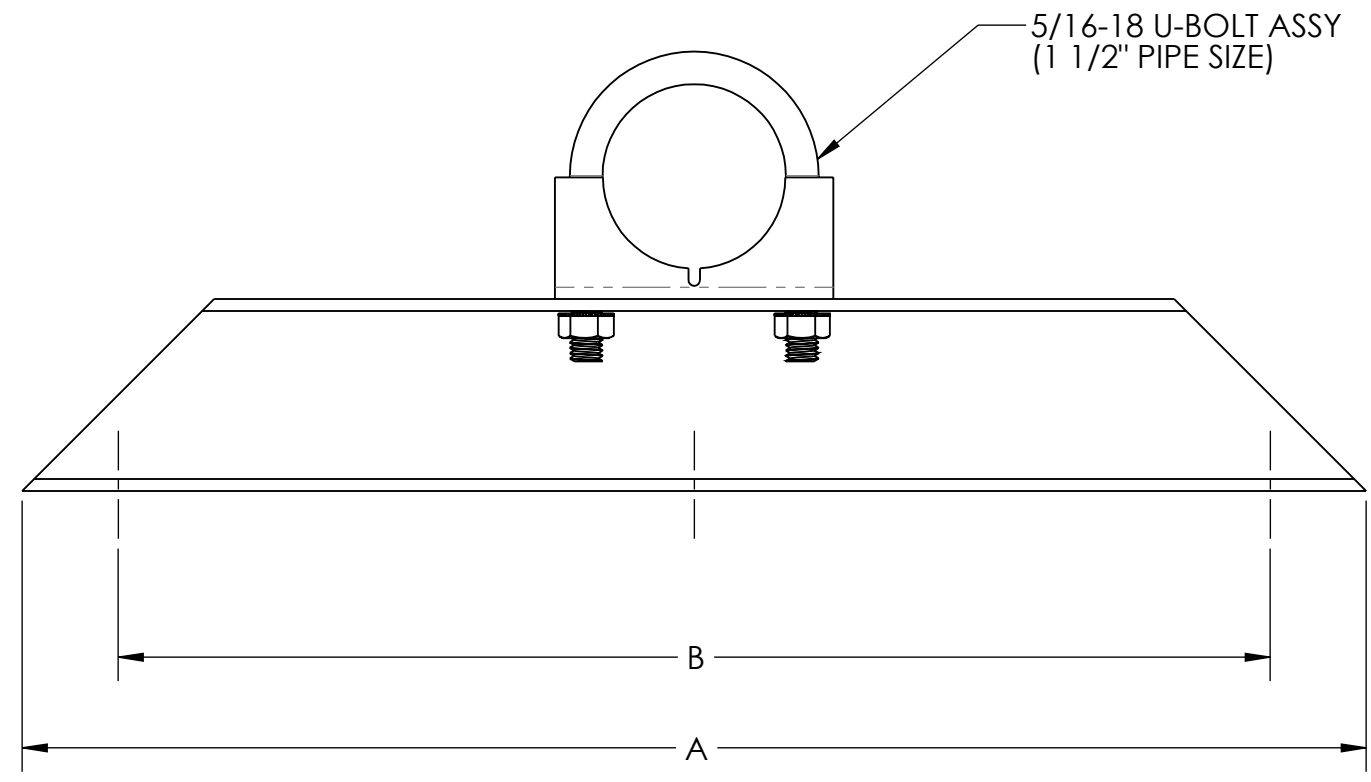


8 7 6 5 4 3 2 1

D
C
B
A


D
C
B



NOTE: 2 CHANNEL ASSEMBLIES PER KIT.

SB-SB2-23	24	22
SB-SB2-14	14	12
SB-SB2-8	8	6
PART NUMBER	DIM A	DIM B

UNLESS OTHERWISE SPECIFIED DIMENSIONS ARE IN INCHES TOLERANCES ARE: FRACTIONS DECIMALS ANGLES .XX +/- .010 +/- 1/2 .XXX +/- .005	CAD GENERATED DRAWING, DO NOT MANUALLY UPDATE	
	APPROVALS	DATE
	DRAWN TRC	9/28/22
	CHECKED	
	RESP ENG	
MATERIAL N/A	MFG ENG	
FINISH --	QUAL ENG	
DO NOT SCALE DRAWING		



**CHANNEL KIT
DATA SHEET**

SIZE B	DWG. NO. SB-SB2-8	REV. A
SCALE: NTS	CAD FILE:	SHEET 1 OF 1

THE INFORMATION CONTAINED IN THIS DRAWING IS THE SOLE PROPERTY OF OLSON ALUMINUM CASTINGS. ANY REPRODUCTION IN PART OR WHOLE WITHOUT THE WRITTEN PERMISSION OF OLSON ALUMINUM CASTINGS IS PROHIBITED.

8 7 6 5 4 3 2 1