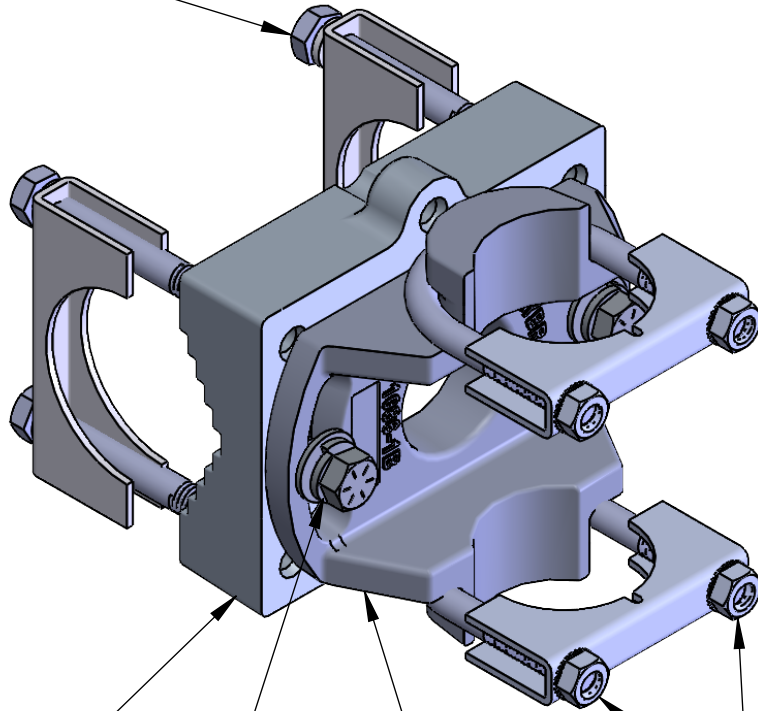


- (2) U-BOLT SADDLE
- (4) 3/8-16 x 3" HEX BOLT
- (4) 3/8 SPLIT LOCK WASHER



TENON CLAMP SADDLE  
CAST 356 ALUMINUM

- (2) 3/8-16 BOLT
- (2) 3/8 FLAT WASHER
- (2) 3/8 SPLIT LOCK WASHER

SWIVEL  
CAST 356  
ALUMINUM

- (2) 5/16-18 U-BOLT
- (2) U-BOLT SADDLE
- (4) 5/16 KEPS NUTS

NOTES:

1. YELLOW ZINC DICHROMATE PLATED STEEL FASTENERS.
2. STAINLESS STEEL HARDWARE AVAILABLE.

THE INFORMATION CONTAINED IN THIS DRAWING IS THE SOLE PROPERTY OF SKYBRACKET. ANY REPRODUCTION IN PART OR WHOLE WITHOUT THE WRITTEN PERMISSION OF SKYBRACKET IS PROHIBITED.



TITLE  
**TENON MOUNT**

APPROVALS	BY	DATE
DRAWN	TRC	12/8/23
RESP ENG		

SIZE A	DWG. NO. <b>SB-SBTM-SCK</b>	REV. A
SCALE: NTS CAD FILE: SB-SBTM-SCK		SHEET OF