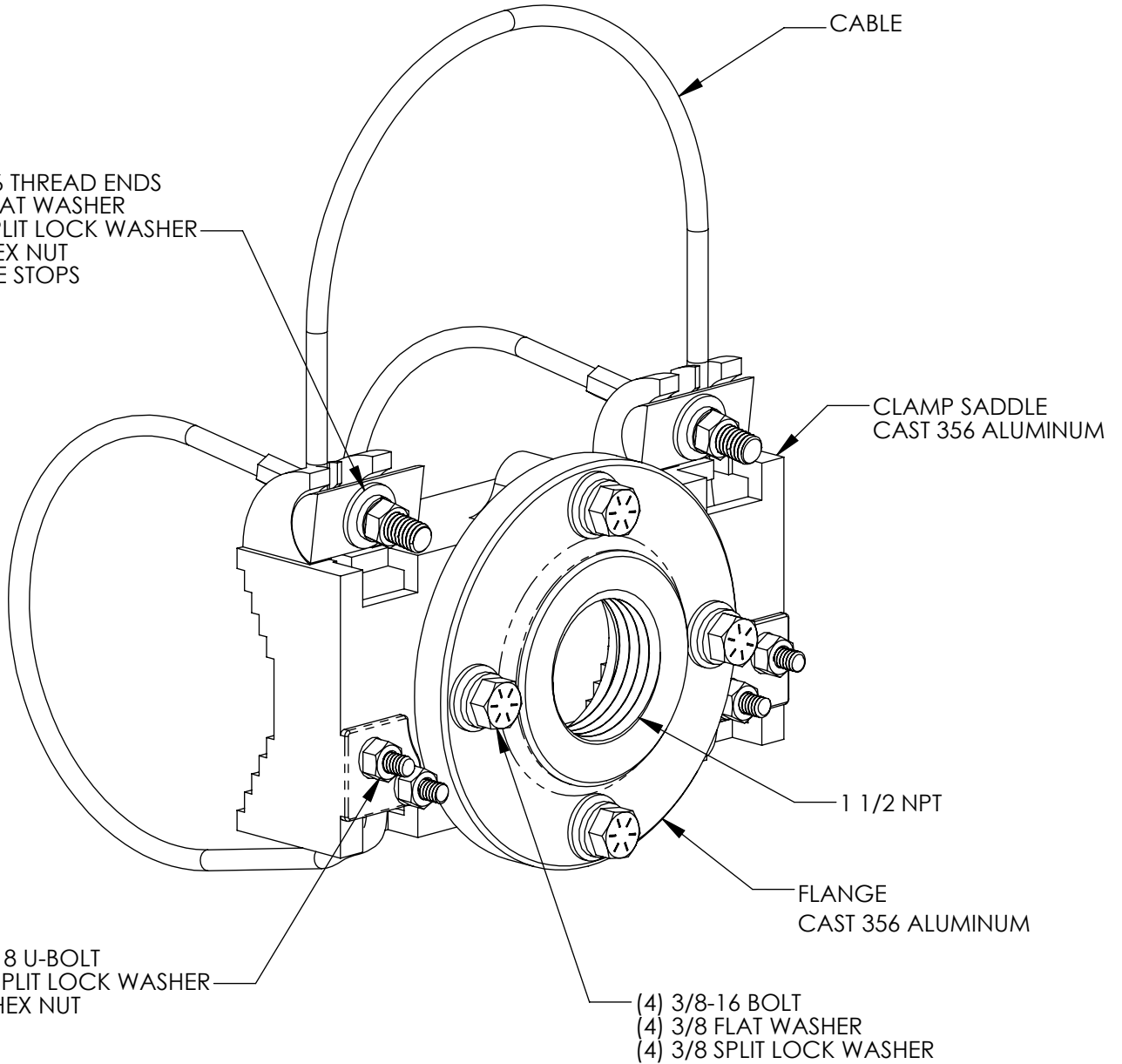


- (2) 3/8-16 THREAD ENDS
- (2) 3/8 FLAT WASHER
- (2) 3/8 SPLIT LOCK WASHER
- (2) 3/8 HEX NUT
- (2) CABLE STOPS



**PART NUMBER**  
**SBC66-ETI**

CABLE LENGTH \_\_\_\_\_

| CABLE LENGTH | MAST ARM DIA. |
|--------------|---------------|
| 66"          | 3" - 7"       |
| 90"          | 7" - 11"      |
| 120"         | 12" - 15"     |
| 144"         | 16" - 20"     |
| 165"         | 20" - 22"     |

- NOTES:**
1. STAINLESS STEEL FASTENERS
  2. AVAILABLE WITH BAND STYLE CLAMP

THE INFORMATION CONTAINED IN THIS DRAWING IS THE SOLE PROPERTY OF SKYBRACKET. ANY REPRODUCTION IN PART OR WHOLE WITHOUT THE WRITTEN PERMISSION OF SKYBRACKET IS PROHIBITED.



|             |     |         |
|-------------|-----|---------|
| APPROVALS   | BY  | DATE    |
| DRAWN       | TRC | 1/23/19 |
| SALES       |     |         |
| ENGINEERING |     |         |

|       |           |                                 |  |
|-------|-----------|---------------------------------|--|
| TITLE |           | 1 1/2" FLANGE CABLE STYLE MOUNT |  |
| SIZE  | DWG. NO.  | REV.                            |  |
| A     | SBC66-ETI | A                               |  |