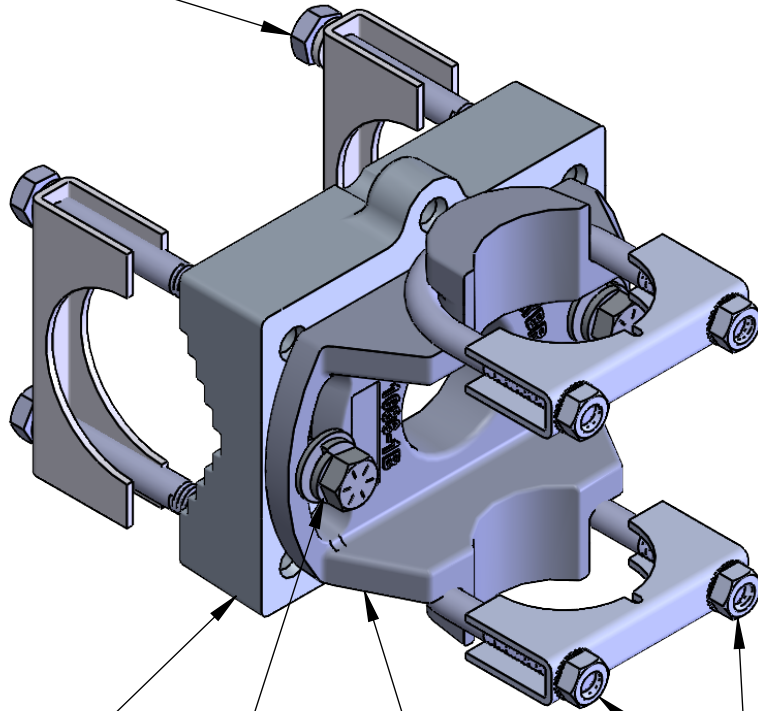


- (2) U-BOLT SADDLE
- (4) 3/8-16 x 3" HEX BOLT
- (4) 3/8 SPLIT LOCK WASHER



TENON CLAMP SADDLE
CAST 356 ALUMINUM

- (2) 3/8-16 BOLT
- (2) 3/8 FLAT WASHER
- (2) 3/8 SPLIT LOCK WASHER

SWIVEL
CAST 356
ALUMINUM

- (2) 5/16-18 U-BOLT
- (2) U-BOLT SADDLE
- (4) 5/16 KEPS NUTS

NOTES:

1. YELLOW ZINC DICHROMATE PLATED STEEL FASTENERS.
2. STAINLESS STEEL HARDWARE AVAILABLE.

THE INFORMATION CONTAINED IN THIS DRAWING IS THE SOLE PROPERTY OF SKYBRACKET. ANY REPRODUCTION IN PART OR WHOLE WITHOUT THE WRITTEN PERMISSION OF SKYBRACKET IS PROHIBITED.



TITLE		TENON MOUNT	
APPROVALS	BY	DATE	
DRAWN	TRC	12/8/23	
RESP ENG			
SIZE	DWG. NO.	REV.	
A	SBTM-SCK	A	
DO NOT SCALE DRAWING		SCALE: NTS CAD FILE: SBTM-SCK	SHEET OF